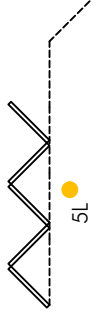
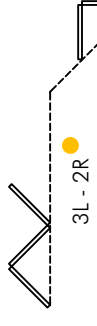
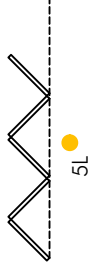
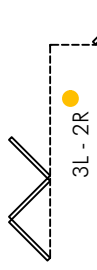
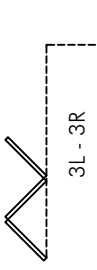
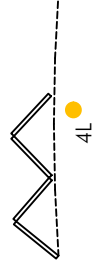
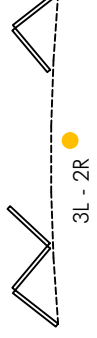
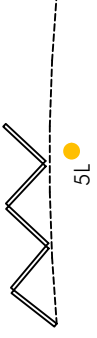
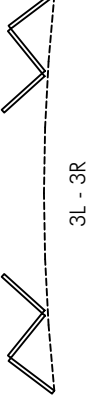
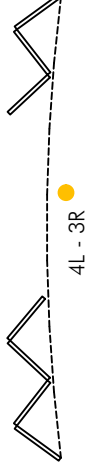
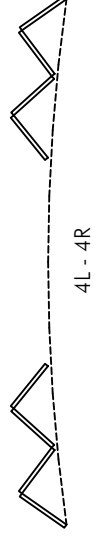
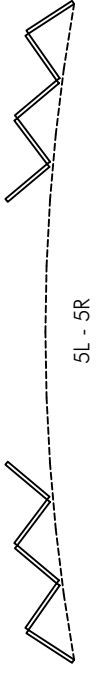


**Please Note**  
**The Above is a Selection of the Most Popular Straight Run Configurations.**  
**These are Available Either Open Out or Open In.**  
**The ● Configurations Can Also Be Supplied Opposite Hand.**  
**Corner and Faceted Curved Options are Also Available**

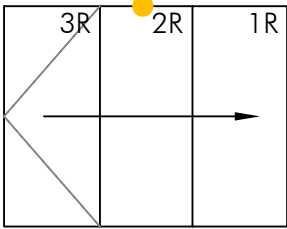
Description **SF55**  
**Thermally Broken Aluminium Folding Sliding Door System**  
**Configuration Options**

Detail No: **SF55-00**  
 System: **SF55** **A**

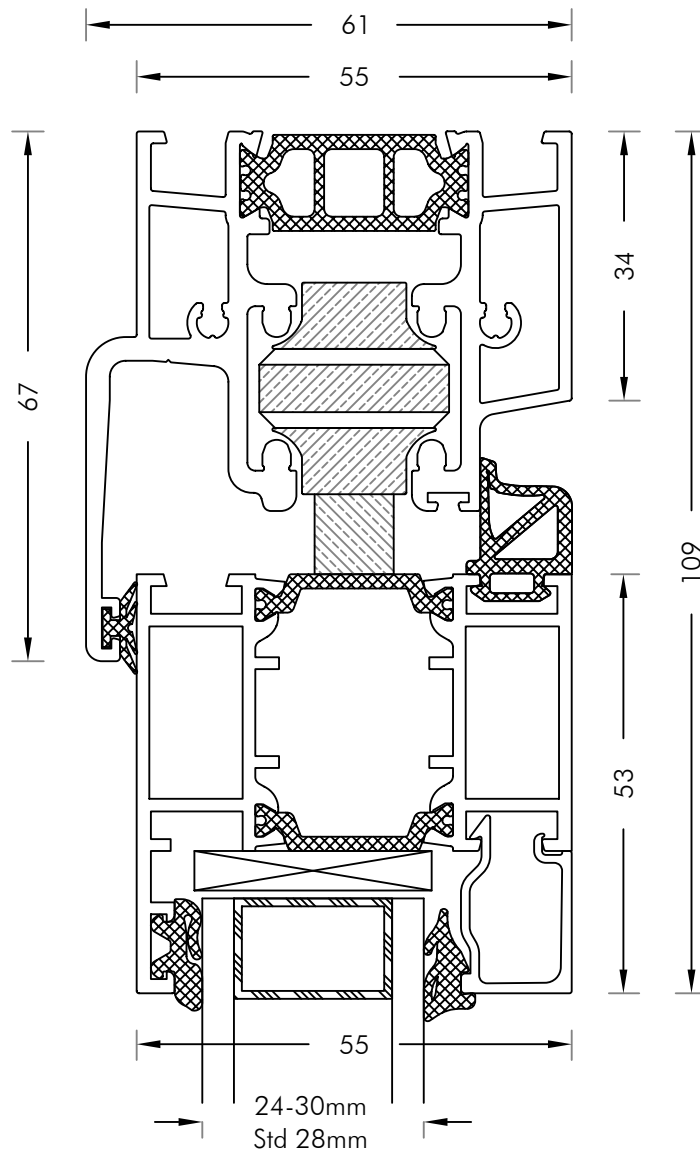


**Please Note**  
**The Above is a Selection of Corner and Faceted Curved Options.**  
**These are Available Either Open Out or Open In.**  
**The ● Configurations Can Also Be Supplied Opposite Hand.**

Description <b>SF55</b> <b>Thermally Broken Aluminium Folding Sliding Door System</b> <b>Special Configuration Options</b>	Detail No: <b>SF55-00 B</b> System: <b>SF55</b> <b>A</b>
--	--



OUTSIDE



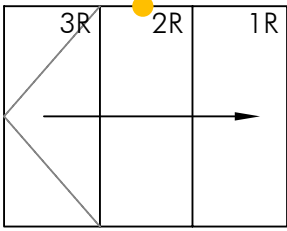
INSIDE

Description **Vertical Section - Connection  
Top Track - Panel / Open In**

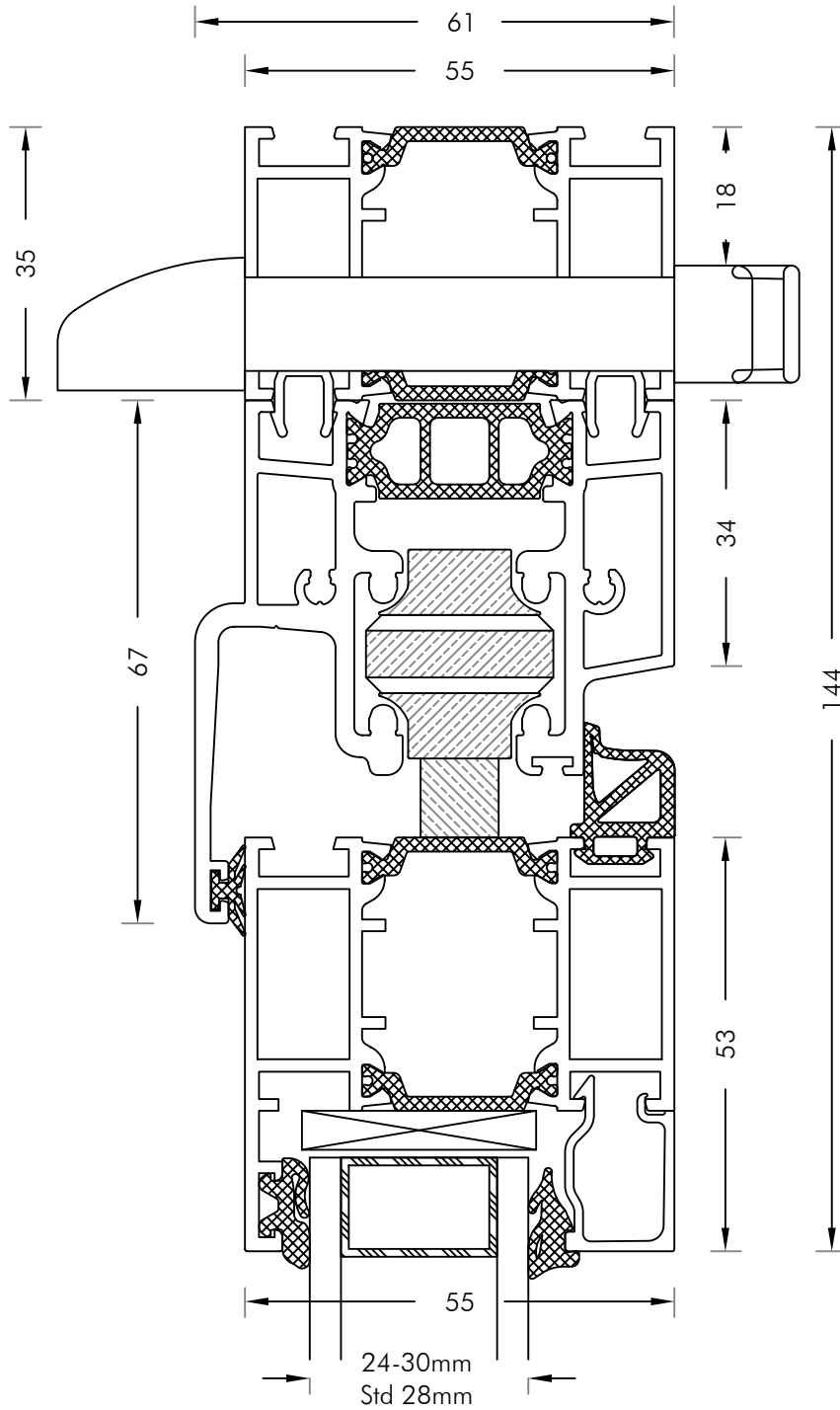
Detail No: **SF55-01**

System: **SF55**

**A**



OUTSIDE



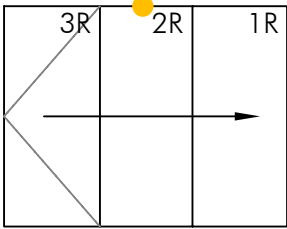
INSIDE

Description **Vertical Section - Connection**  
**Top Track With 35mm Extension And Trickle Vent - Panel /**  
**Open In**

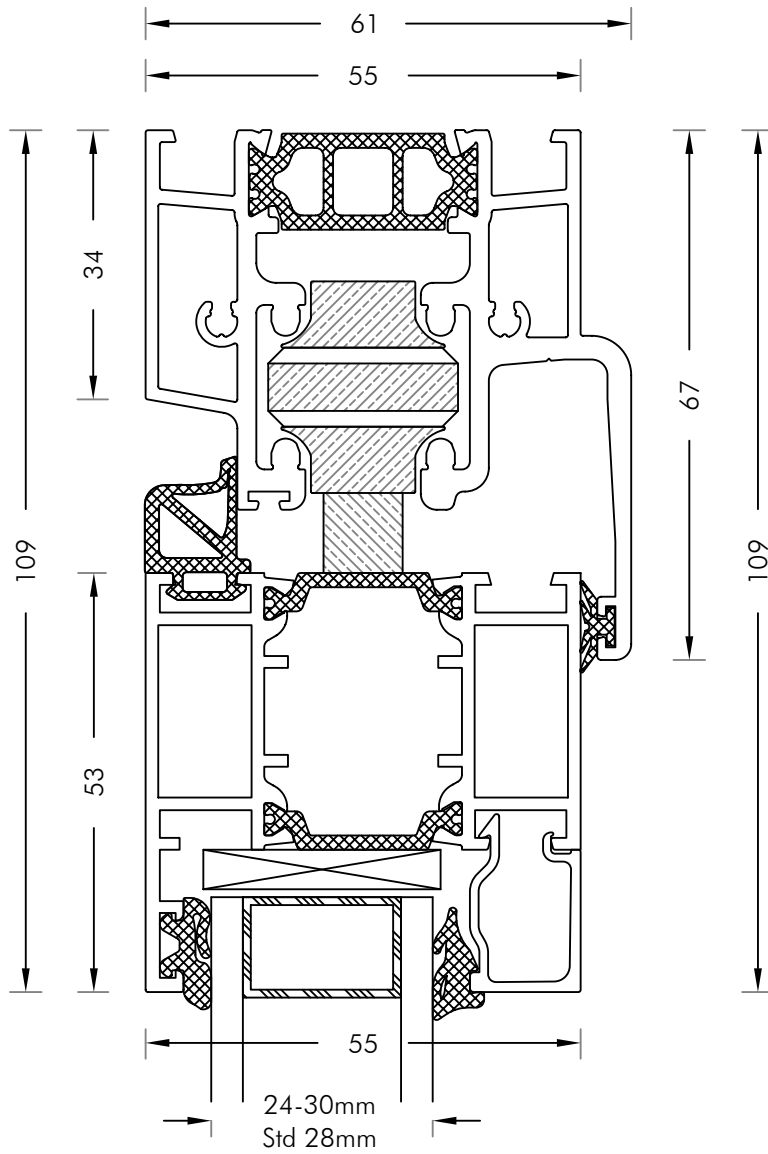
Detail No: **SF55-01TV**

System: **SF55**

**A**



OUTSIDE



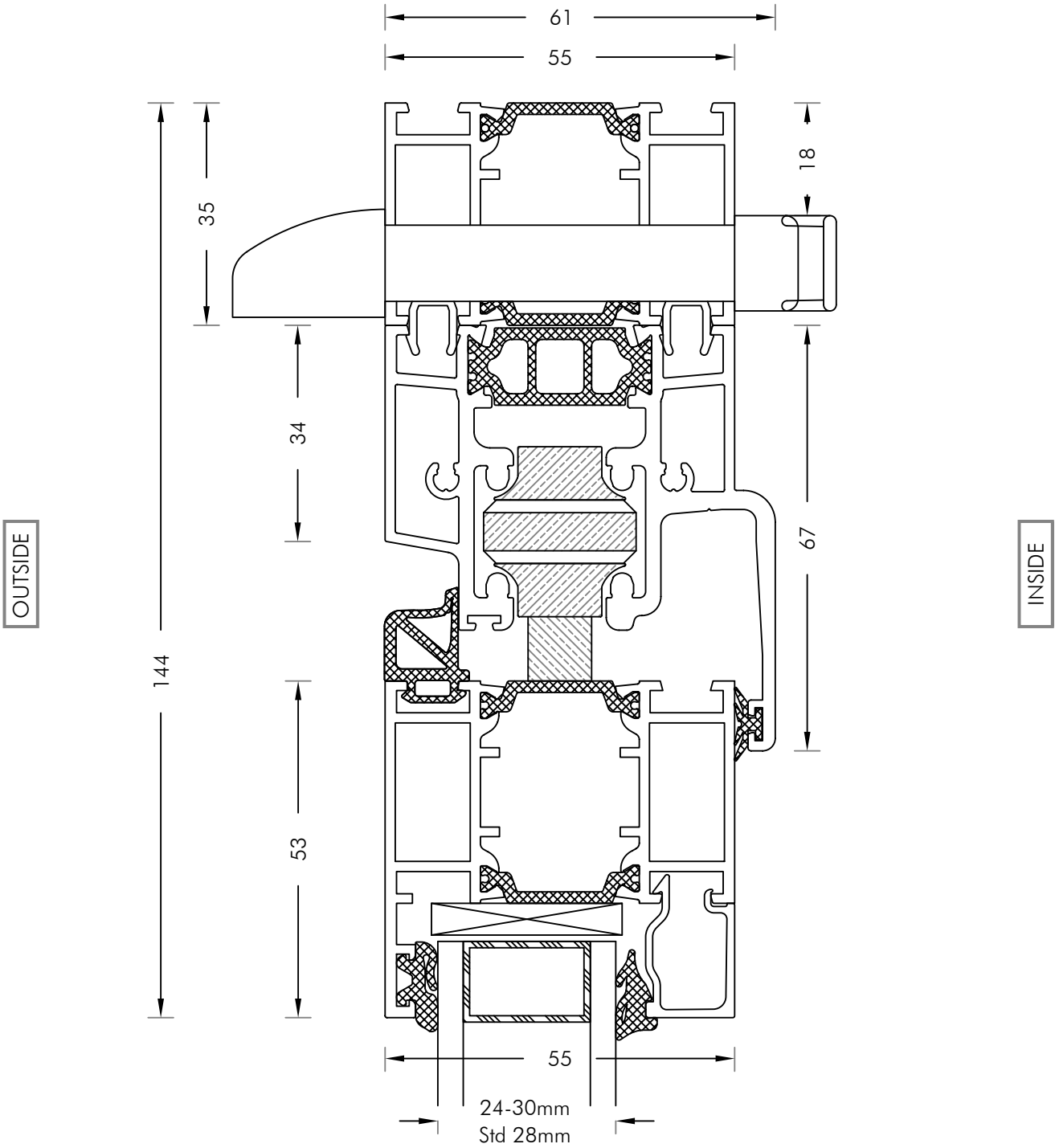
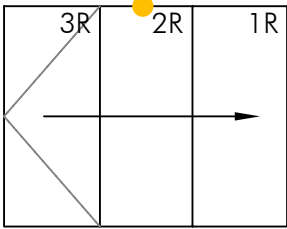
INSIDE

Description **Vertical Section - Connection  
Top Track - Panel / Open Out**

Detail No: **SF55-02**

System: **SF55**

**A**

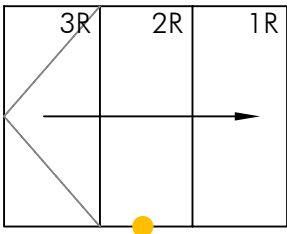


Description **Vertical Section - Connection**  
**Top Track With 35mm Extension And Trickle Vent - Panel /**  
**Open Out**

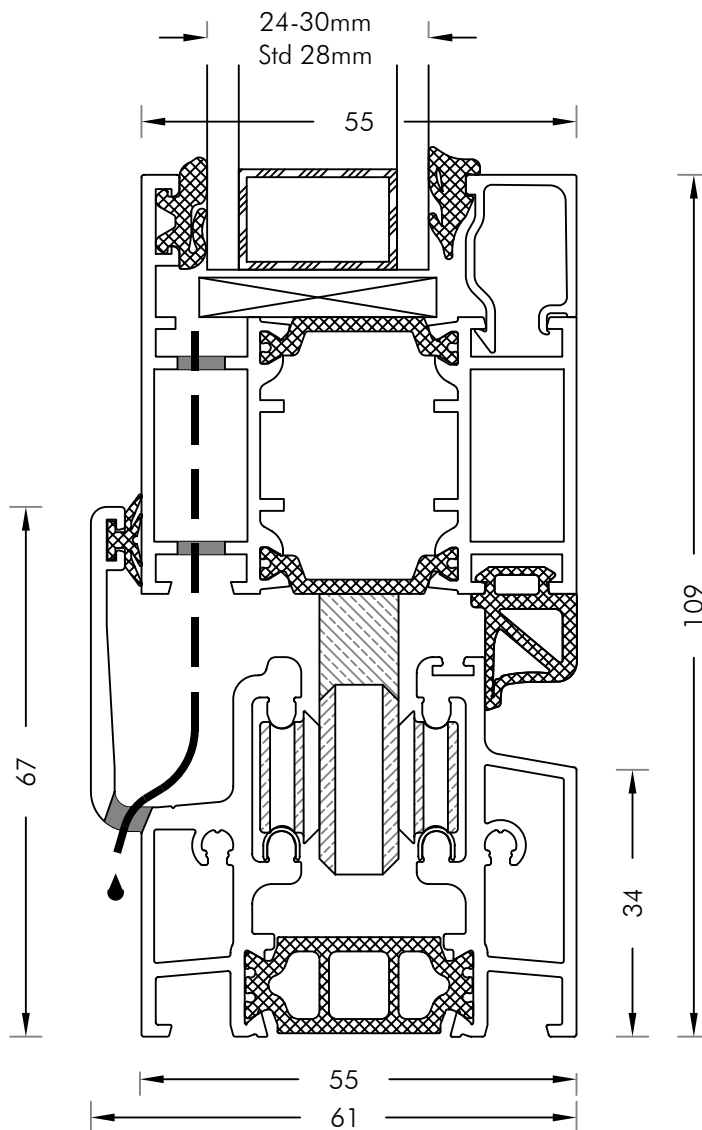
Detail No: **SF55-02TV**

System: **SF55**

**A**



OUTSIDE



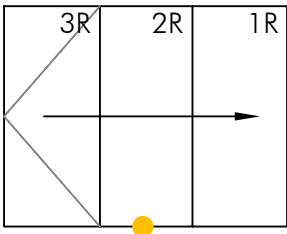
INSIDE

Description **Vertical Section - Connection**  
**Panel - Bottom Weathered Track / Open In**

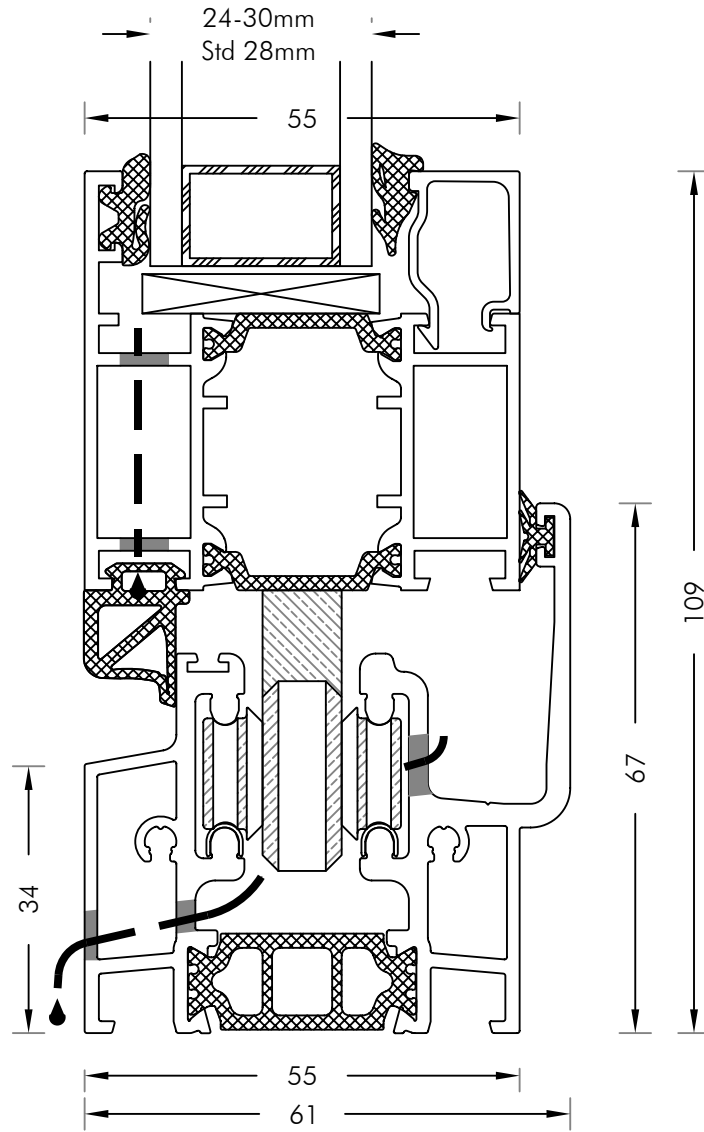
Detail No: **SF55-03**

System: **SF55**

**A**



OUTSIDE



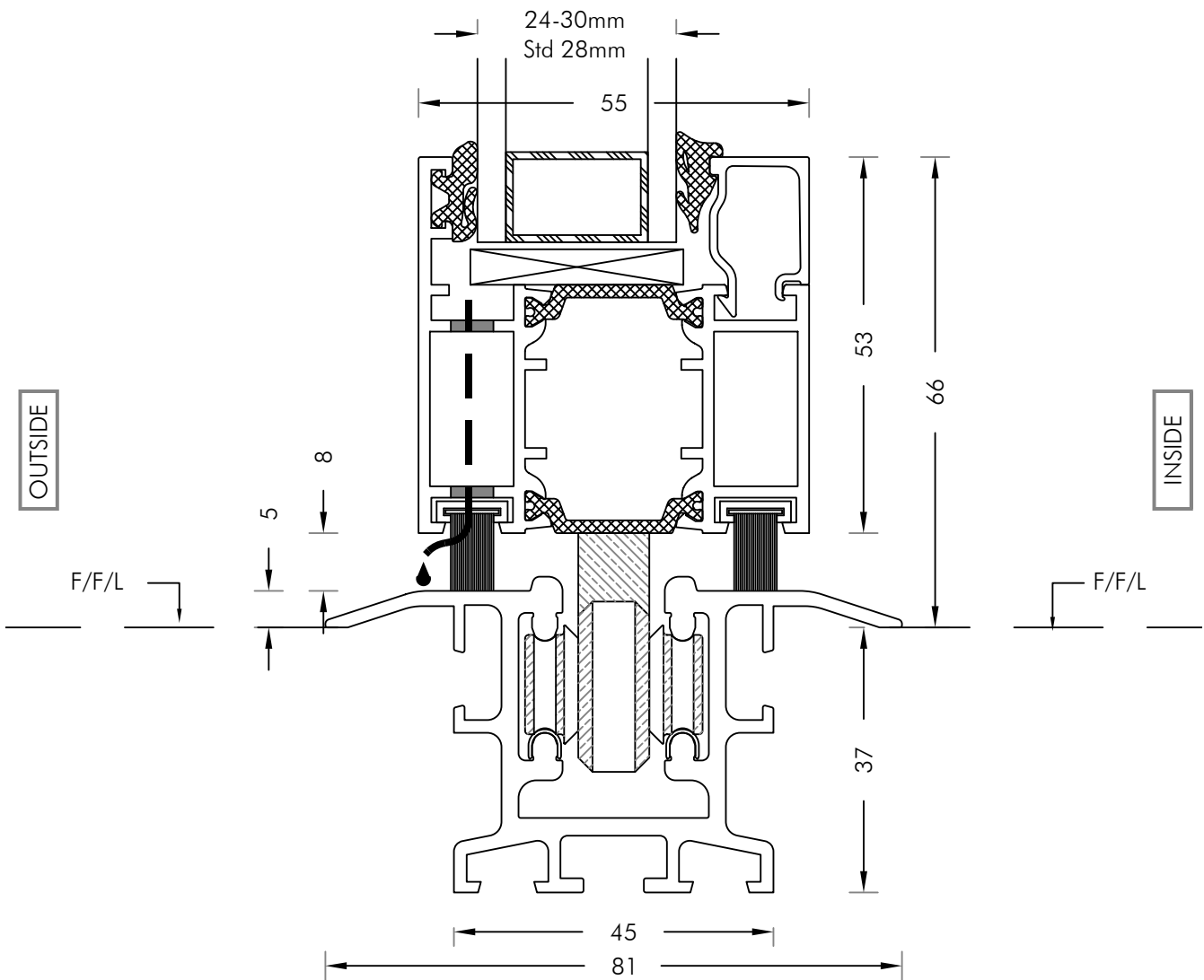
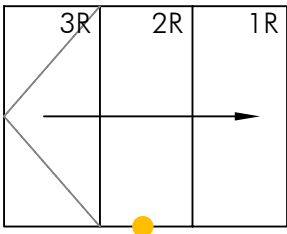
INSIDE

Description **Vertical Section - Connection**  
**Panel - Bottom Weathered Track / Open Out**

Detail No: **SF55-04**

System: **SF55**

**A**



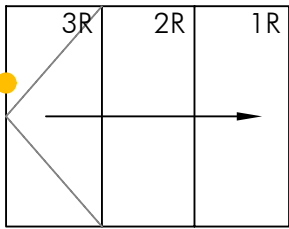
**Note: Flush Track Reduces Weather Rating  
 Not Recommended for Exposed Locations  
 On External Flush Track Systems We Recommend External Floor Level (Unless Decking),  
 is Laid with a Fall Away from the Track to Prevent Water Ingress**

Description **Vertical Section - Connection  
 Panel - Bottom Flush Track**

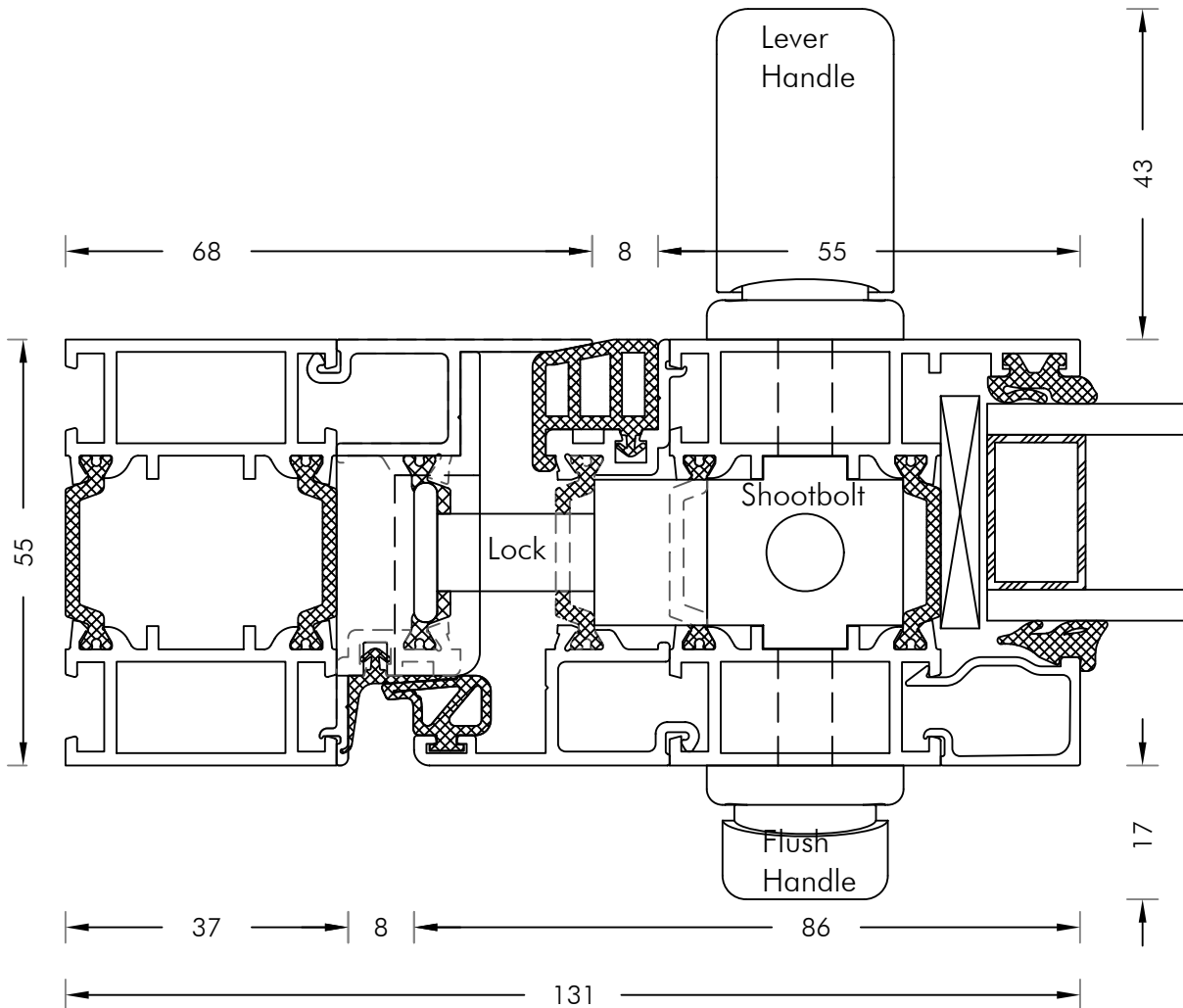
Detail No: **SF55-05**

System: **SF55**

**A**



OUTSIDE



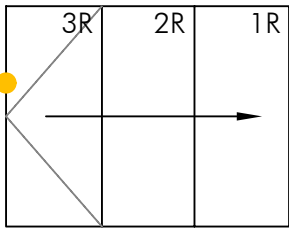
INSIDE

Description **Horizontal Section - Connection**  
**Closing Jamb - Panel 3R / Open In**

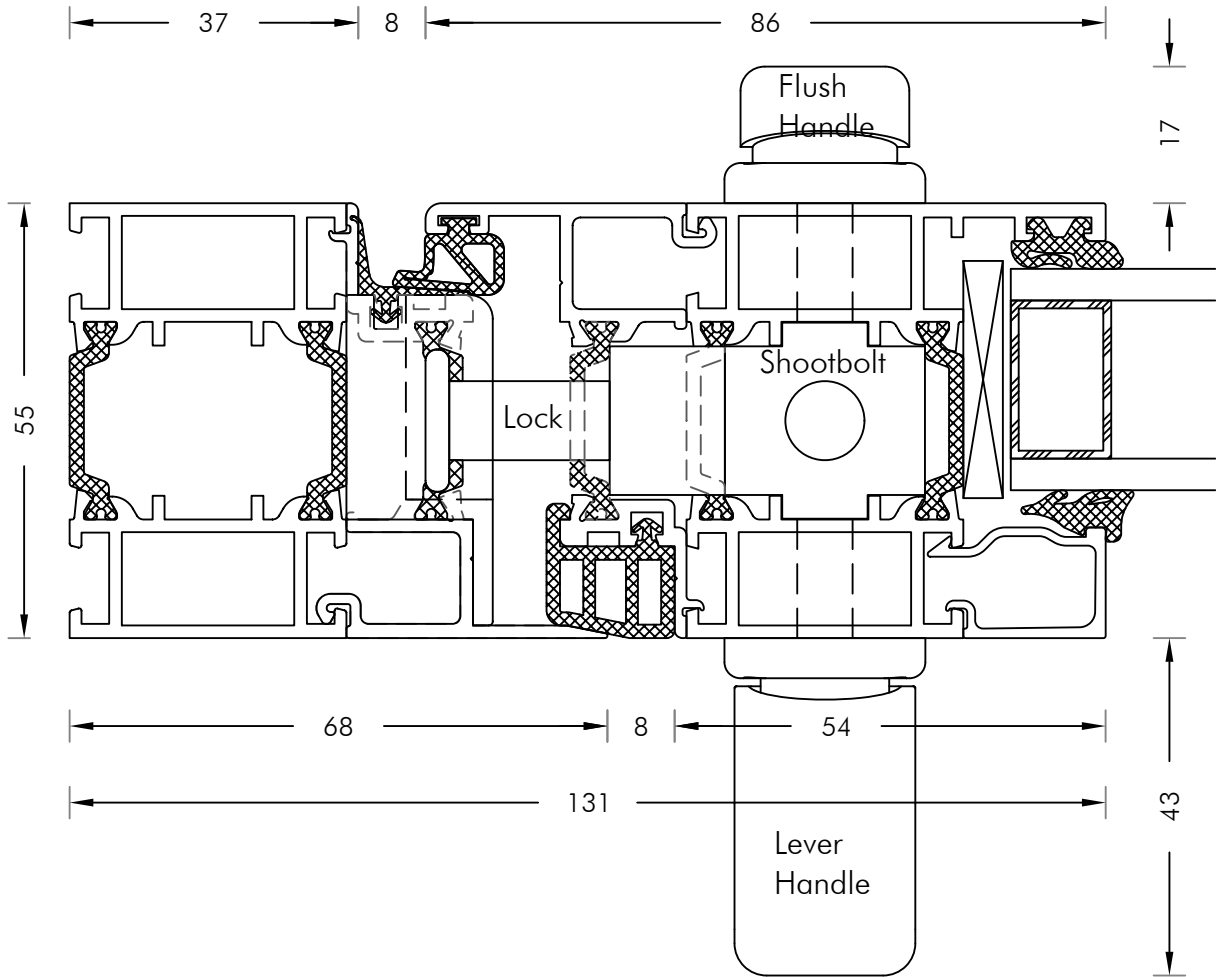
Detail No: **SF55-06**

System: **SF55**

**A**



OUTSIDE



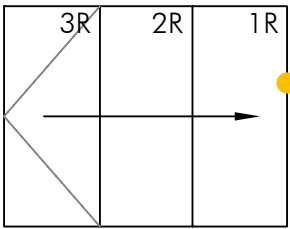
INSIDE

Description **Horizontal Section - Connection**  
**Closing Jamb - Panel 3R / Open Out**

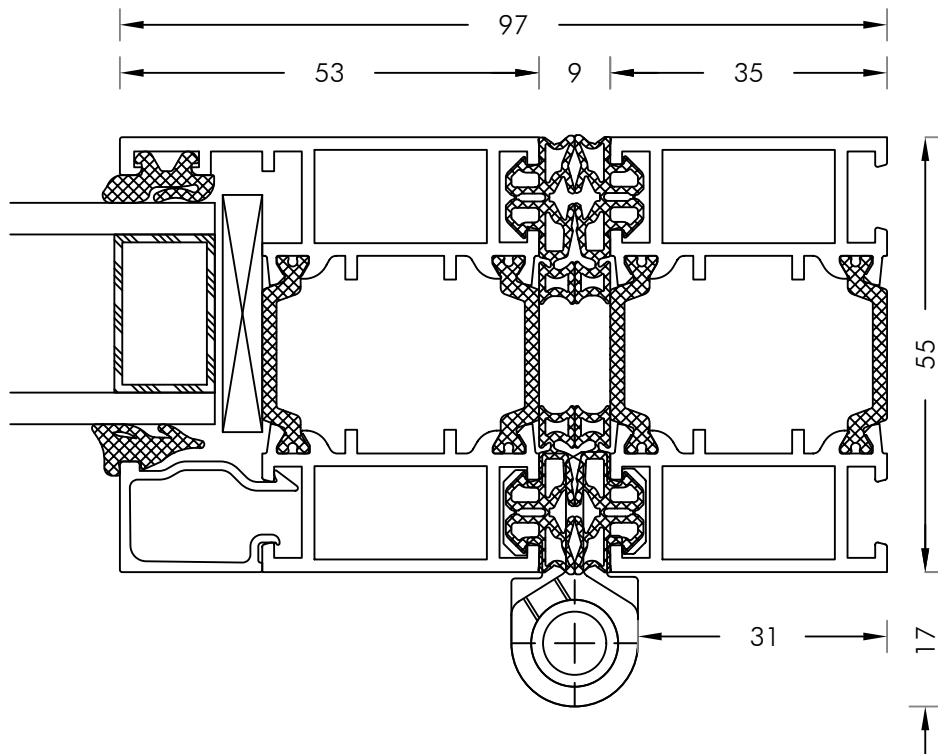
Detail No: **SF55-07**

System: **SF55**

**A**



OUTSIDE



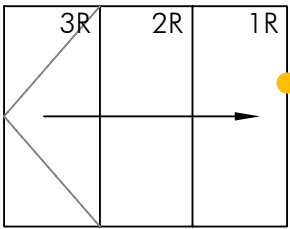
INSIDE

Description **Horizontal Section - Connection**  
**Panel 1R - Hinge Jamb / Open In**

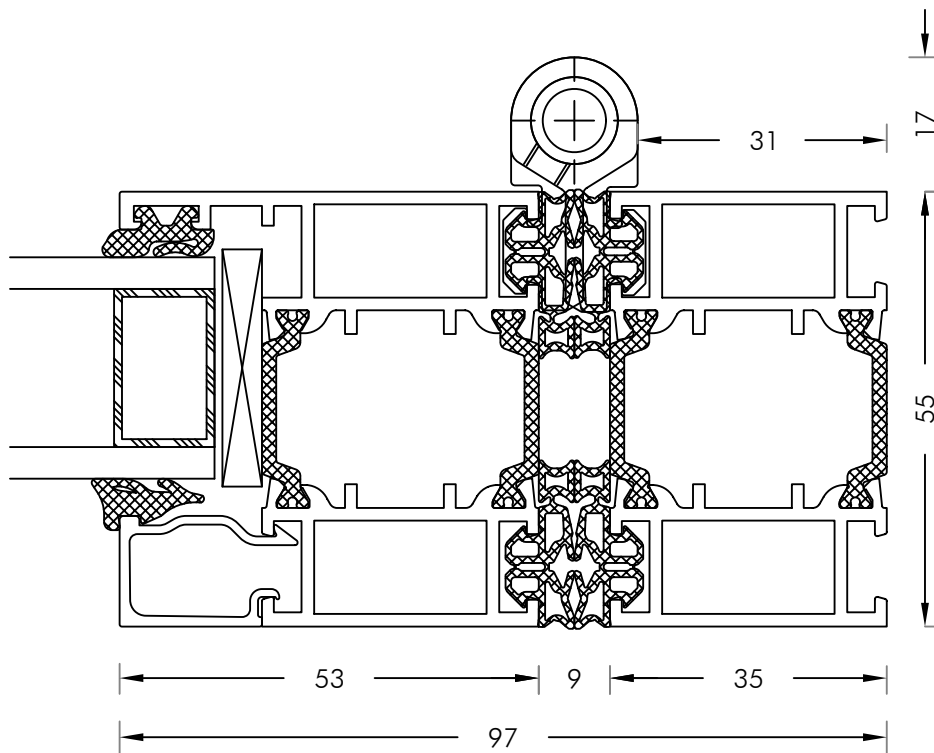
Detail No: **SF55-08**

System: **SF55**

**A**



OUTSIDE



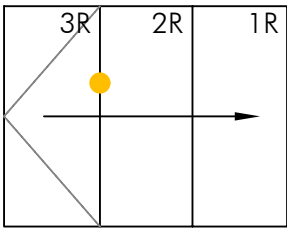
INSIDE

Description **Horizontal Section - Connection**  
**Panel 1R - Hinge Jamb / Open Out**

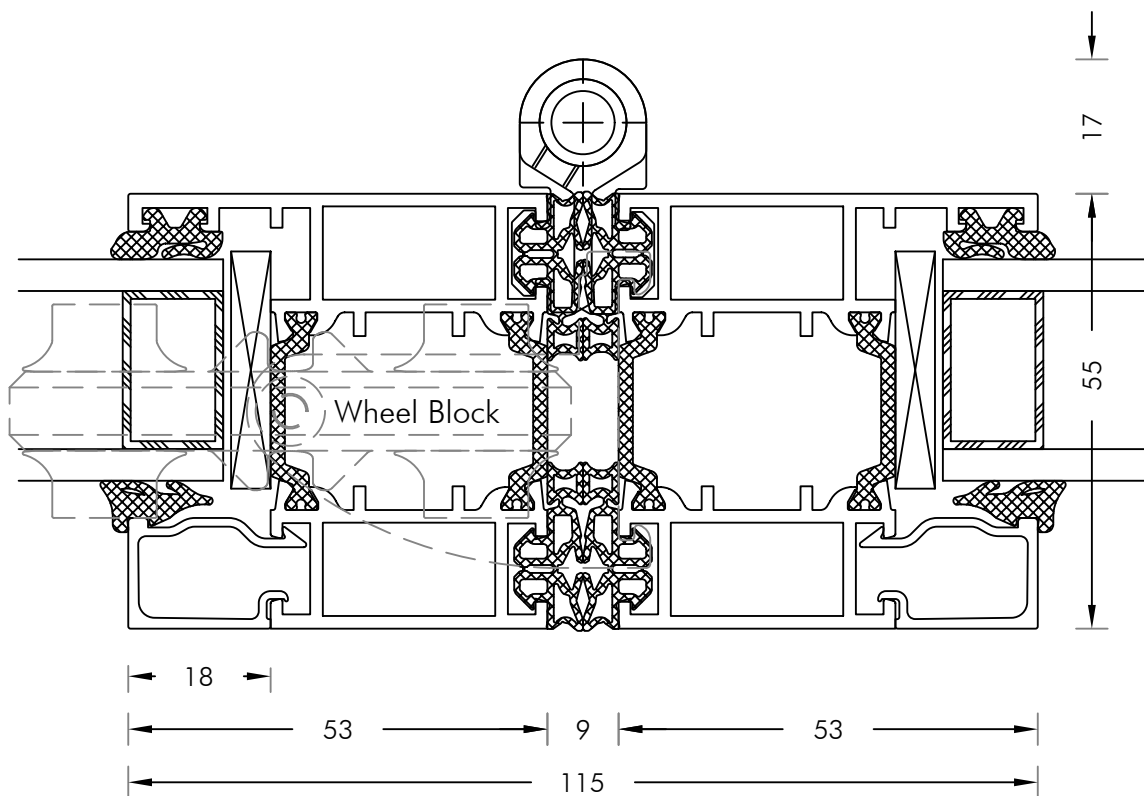
Detail No: **SF55-09**

System: **SF55**

**A**



OUTSIDE



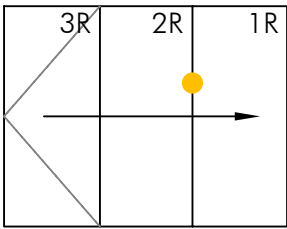
INSIDE

Description **Horizontal Section - Connection  
Panel 3R - Panel 2R / Open Out**

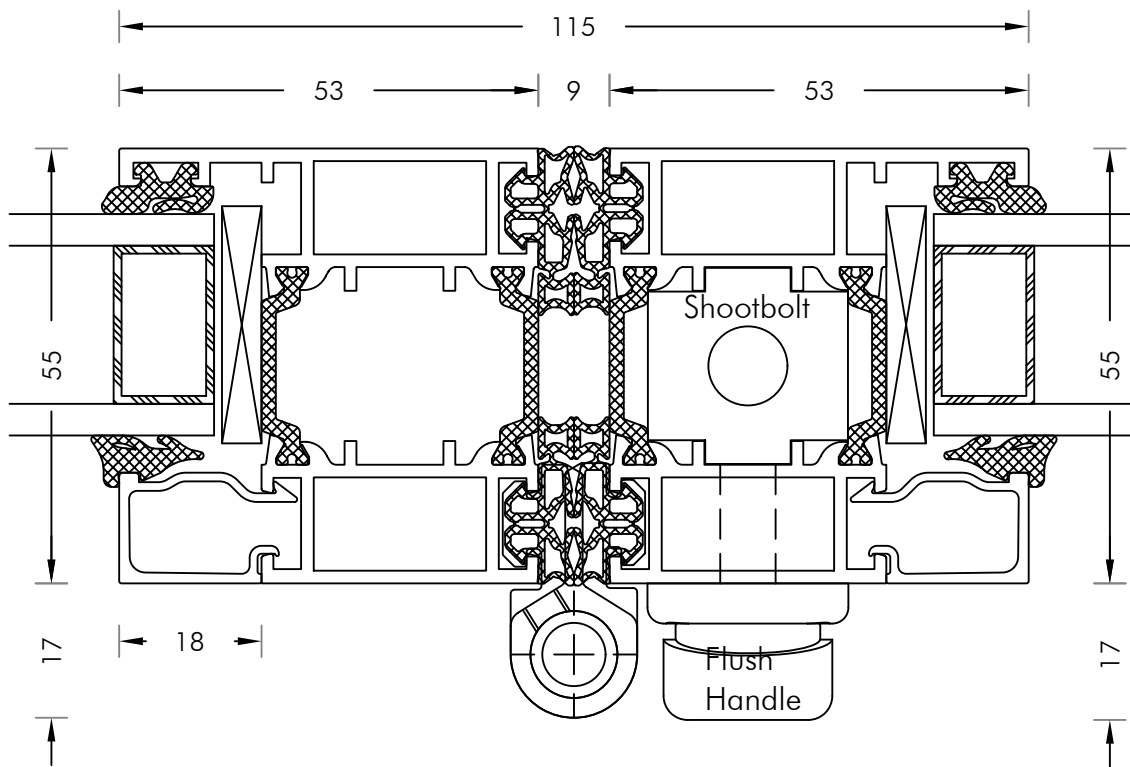
Detail No: **SF55-10**

System: **SF55**

**A**



OUTSIDE



INSIDE

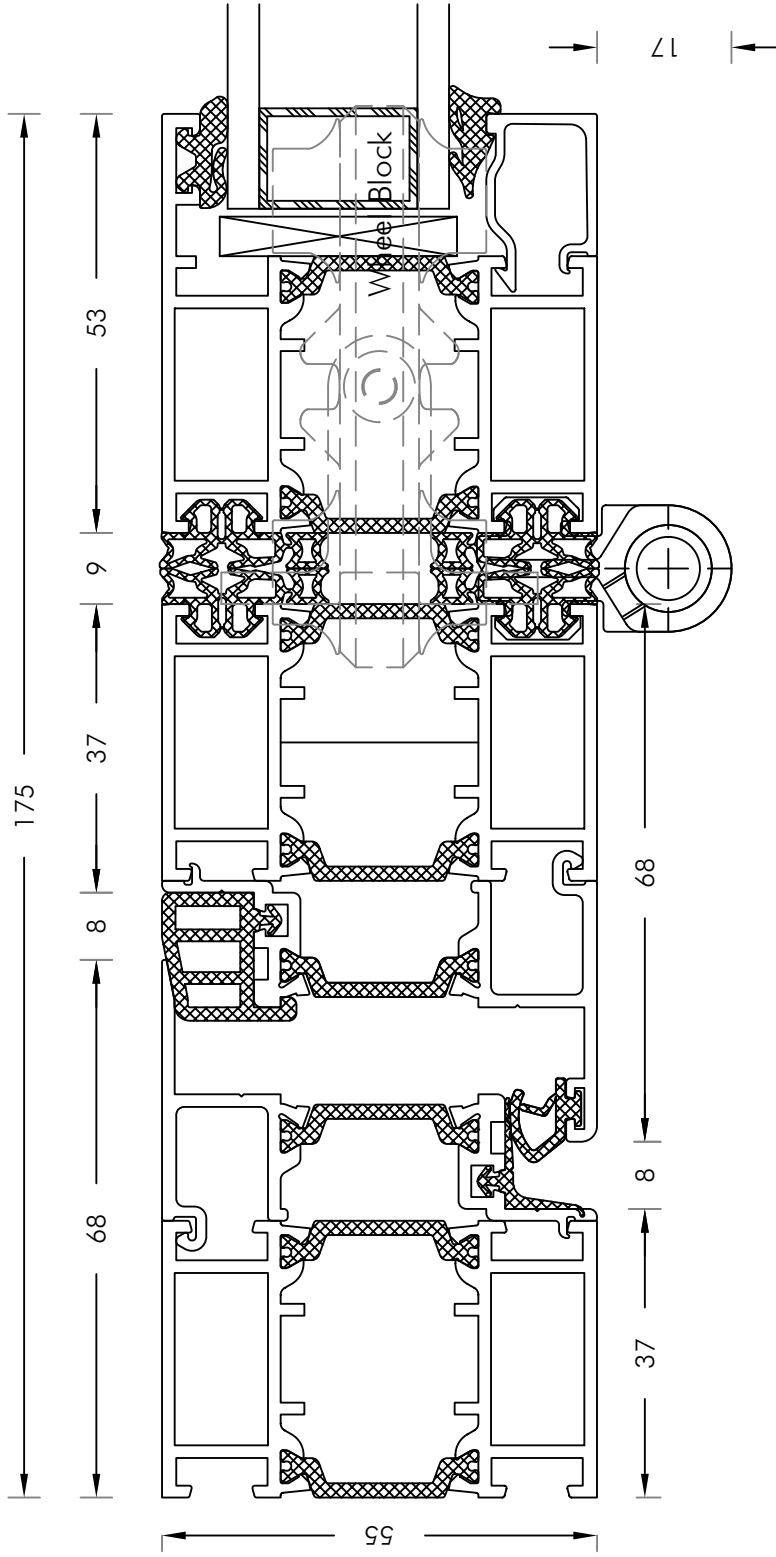
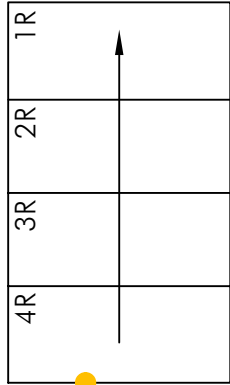
Description **Horizontal Section - Connection  
Panel 2R - Panel 1R / Open Out**

Detail No: **SF55-11**

System: **SF55**

**A**

OUTSIDE



INSIDE

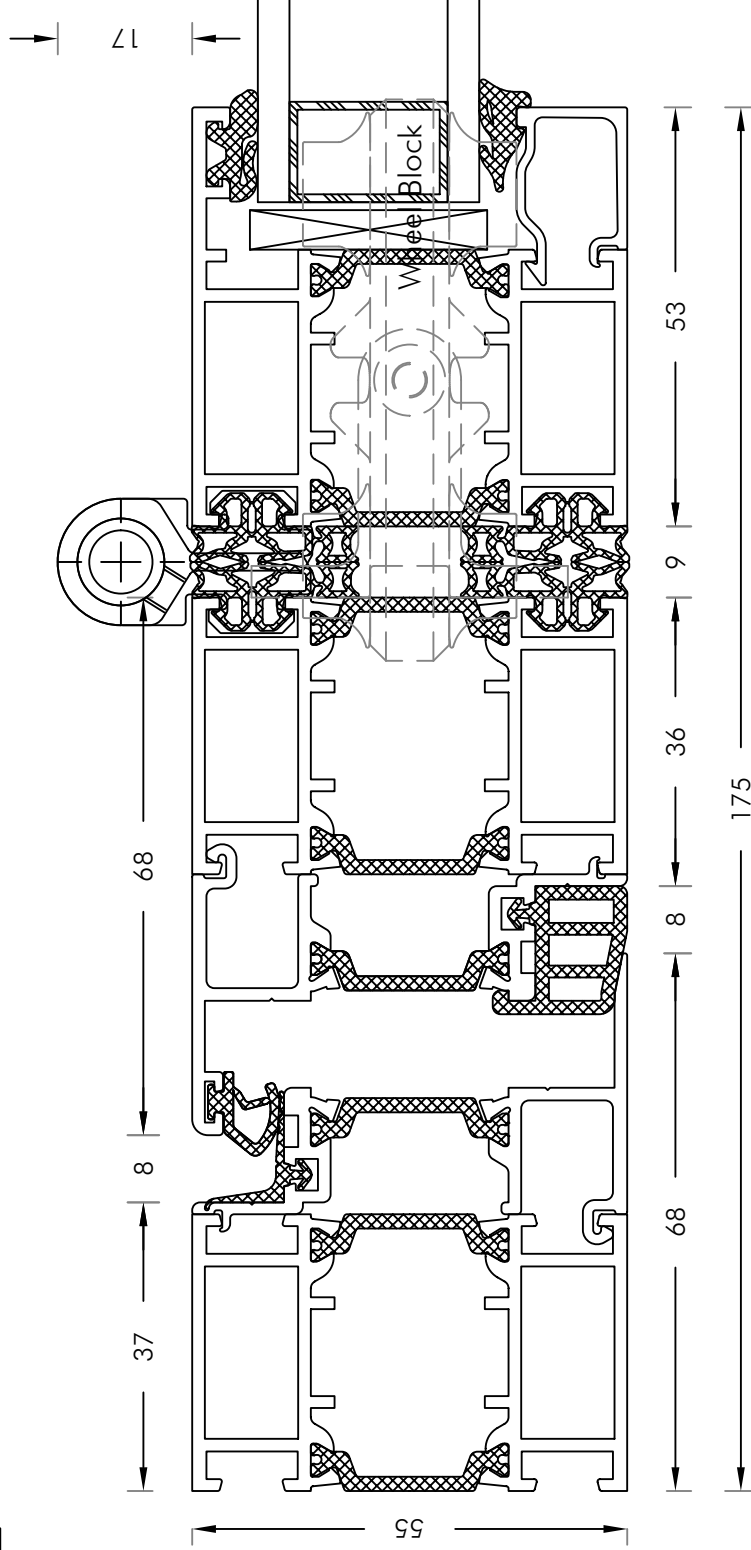
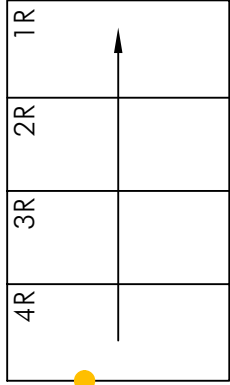
Description **Horizontal Section - Connection**  
**Closing Jamb - Sliding Post - Panel 4R / Open In**

Detail No: **SF55-12**

System: **SF55**

**A**

OUTSIDE



INSIDE

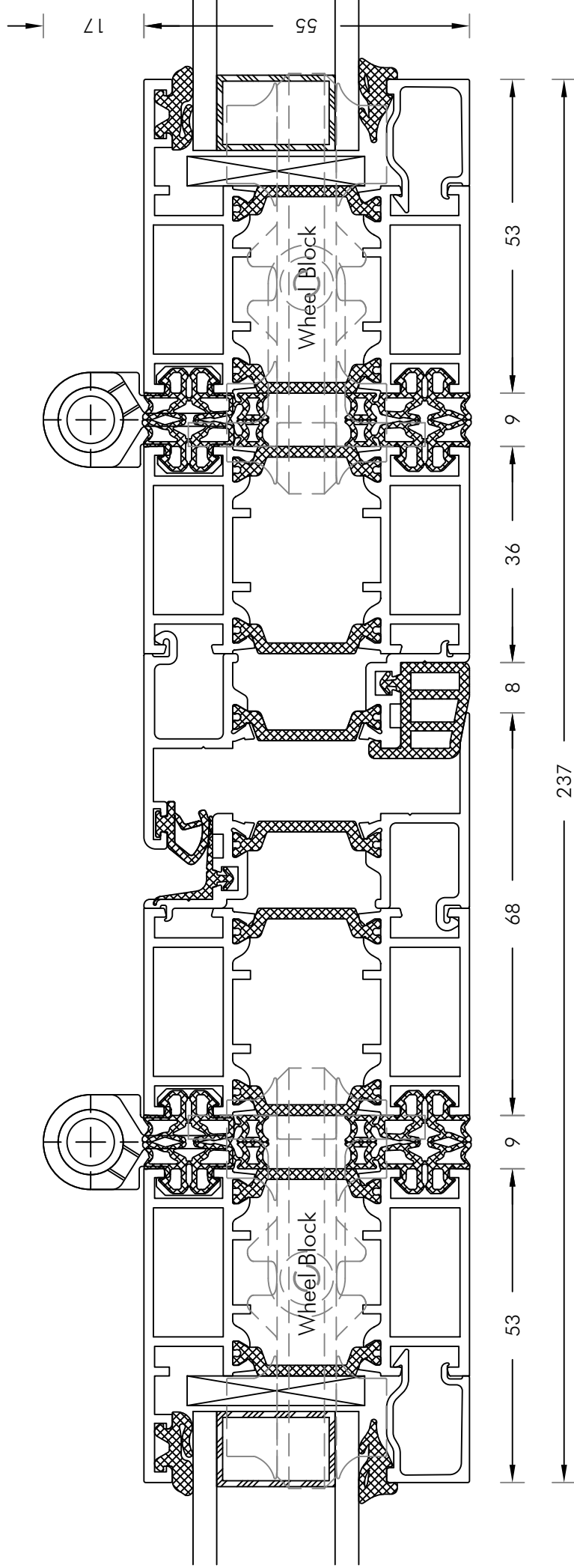
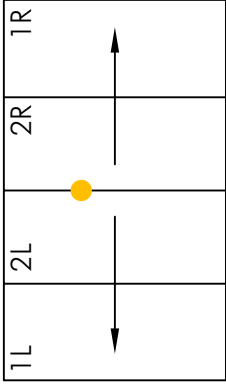
Description **Horizontal Section - Connection**  
**Closing Jamb - Sliding Post - Panel 4R / Open Out**

Detail No: **SF55-13**

System: **SF55**

**A**

OUTSIDE



INSIDE

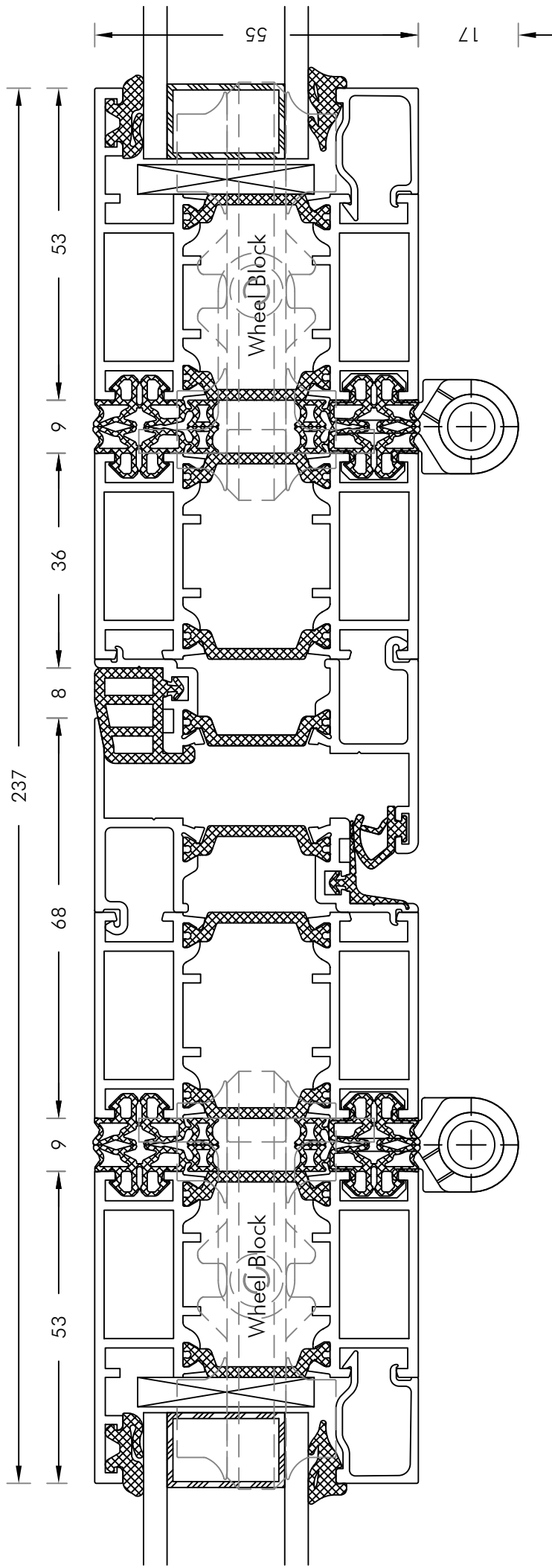
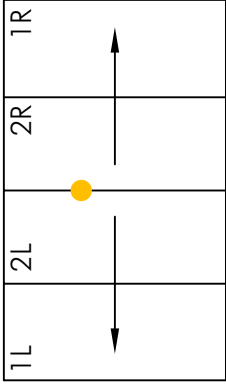
Description **Horizontal Section - Connection**  
**Panel 2L - Sliding Post - Sliding Post - Panel 2R / Open Out**

Detail No: **SF55-14**

System: **SF55**

**A**

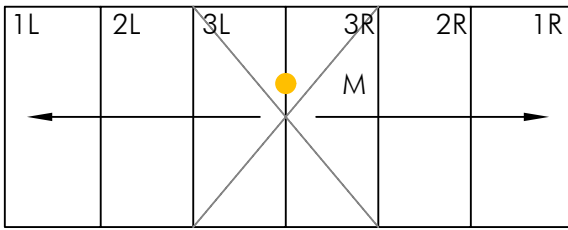
OUTSIDE



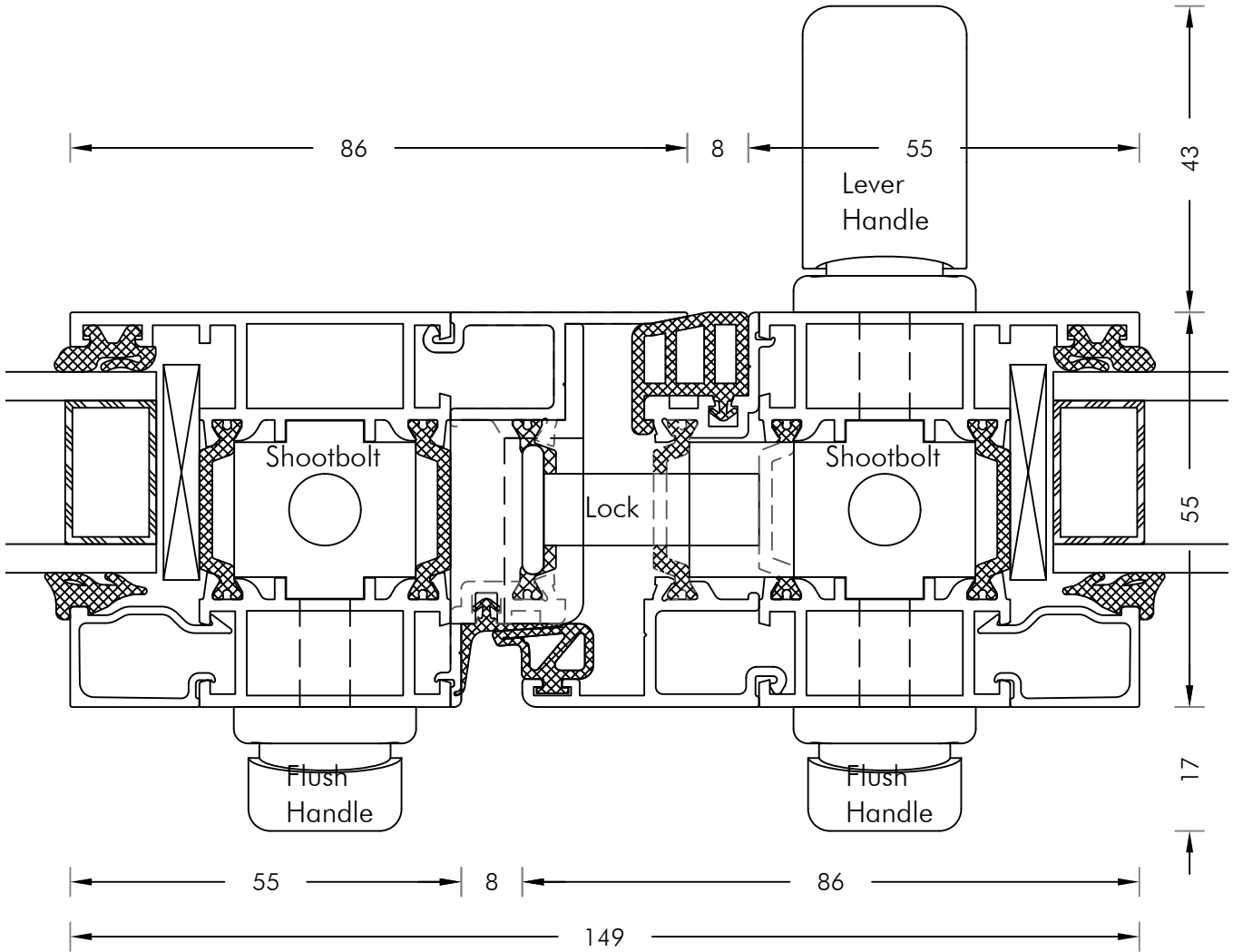
INSIDE

Description **Horizontal Section - Connection**  
**Panel 2L - Sliding Post - Sliding Post - Panel 2R / Open In**

Detail No: **SF55-15**  
 System: **SF55**  
**A**



OUTSIDE



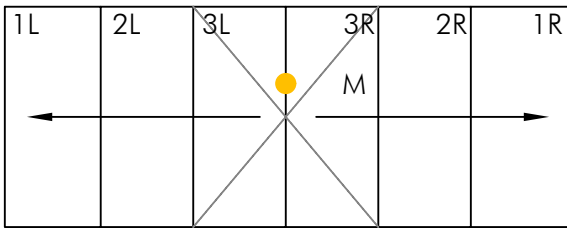
INSIDE

Description **Horizontal Section - Connection**  
**Panel 3L - Panel 3R / Open In**  
**(M = 1st Opening Panel 3R)**

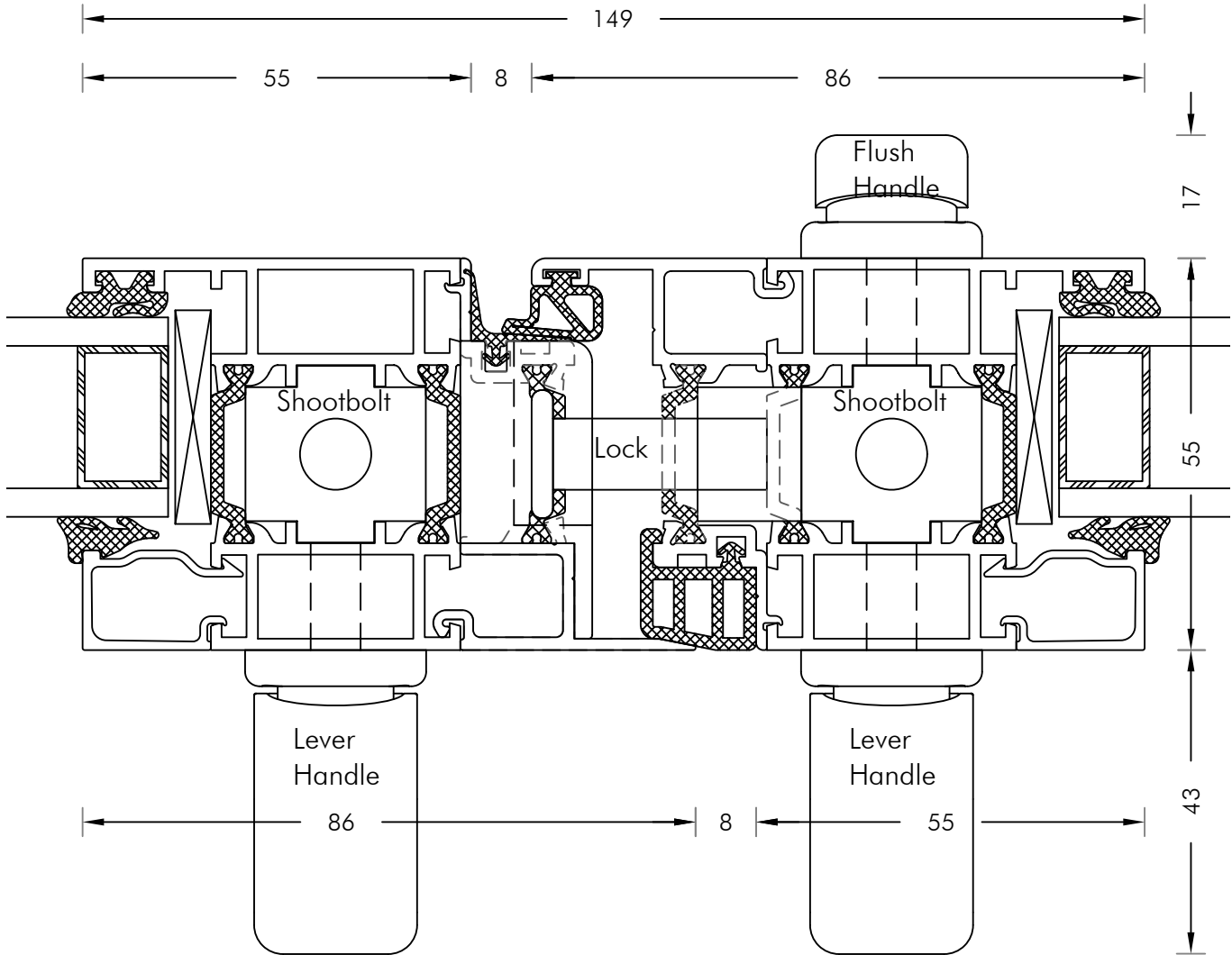
Detail No: **SF55-16**

System: **SF55**

**A**



OUTSIDE



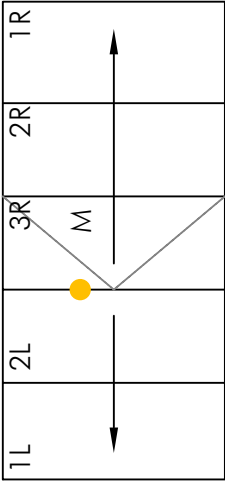
INSIDE

Description **Horizontal Section - Connection  
Panel 3L - Panel 3R / Open Out  
(M = 1st Opening Panel 3R)**

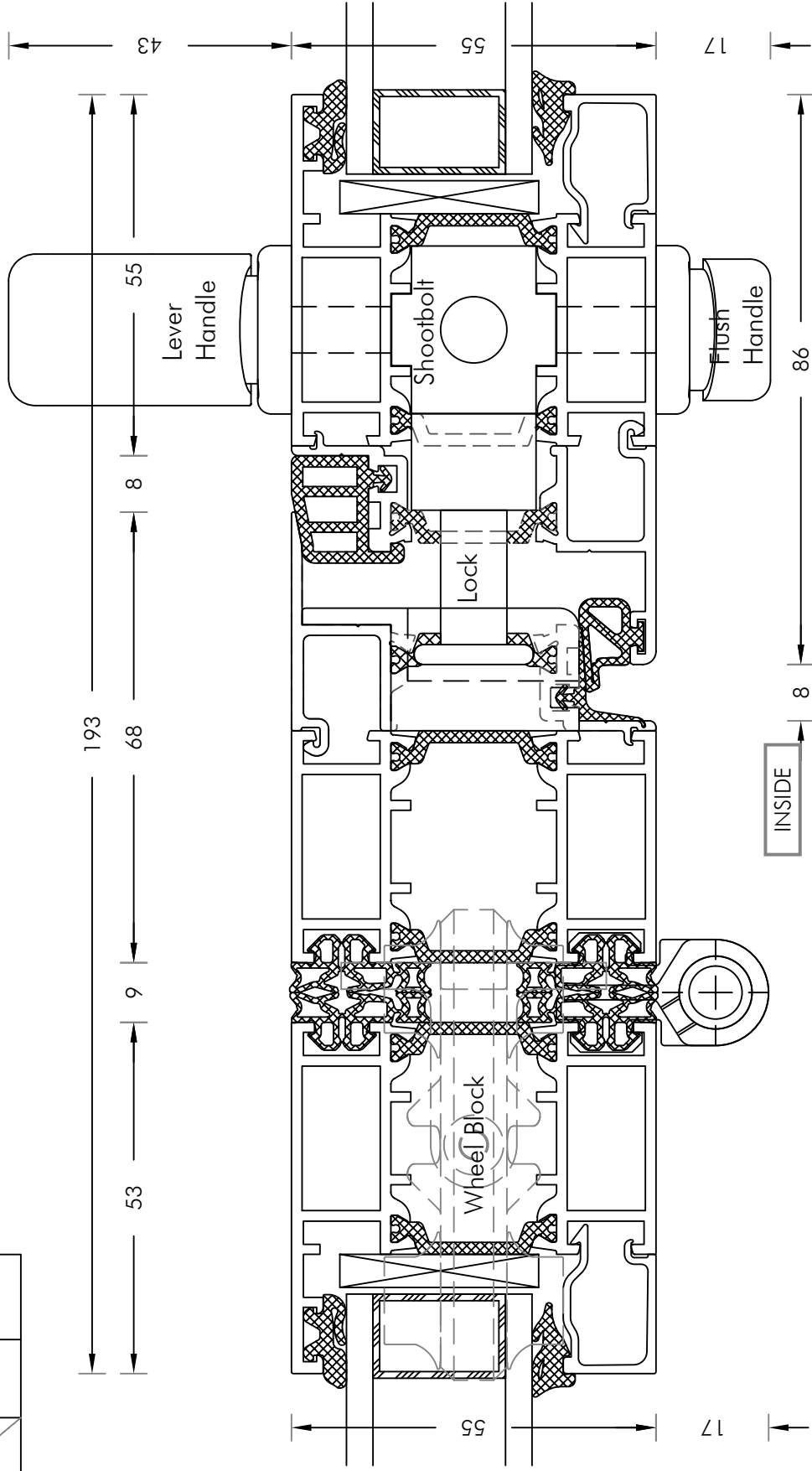
Detail No: **SF55-17**

System: **SF55**

**A**



OUTSIDE



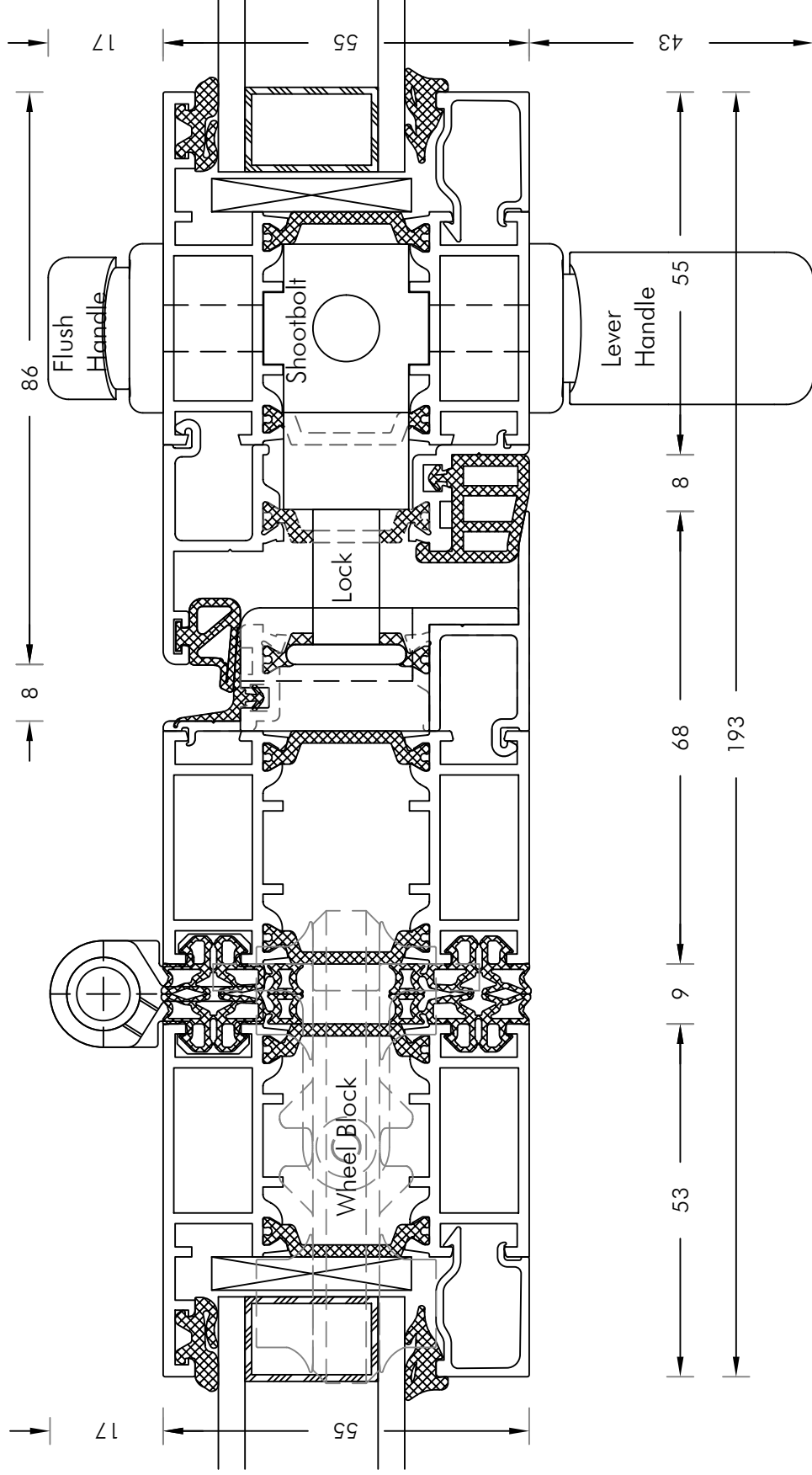
Description **Horizontal Section - Connection**  
**Panel 2L - Sliding Post - Panel 3R / Open In**  
**(M = 1st Opening Panel 3R)**

Detail No: **SF55-18**

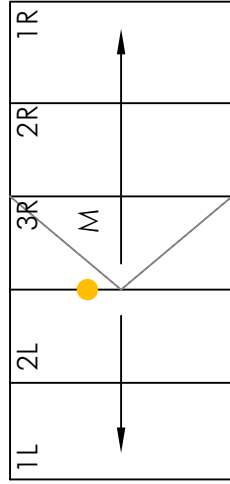
System: **SF55**

**A**

OUTSIDE



INSIDE

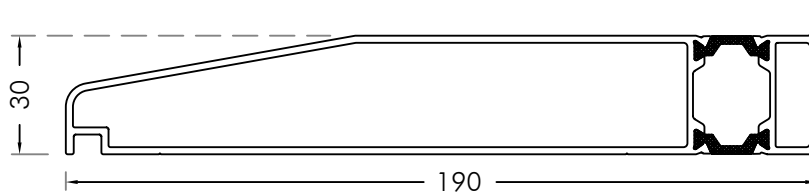
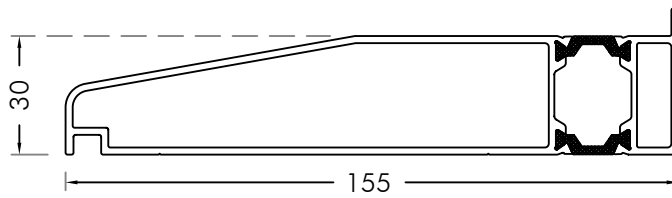
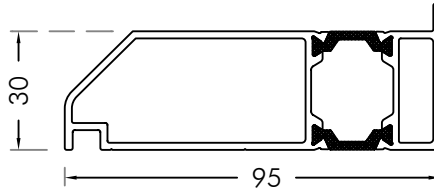


Description **Horizontal Section - Connection Panel 2L - Sliding Post - Panel 3R / Open Out (M = 1st Opening Panel 3R)**

Detail No: **SF55-19**

System: **SF55**

**A**

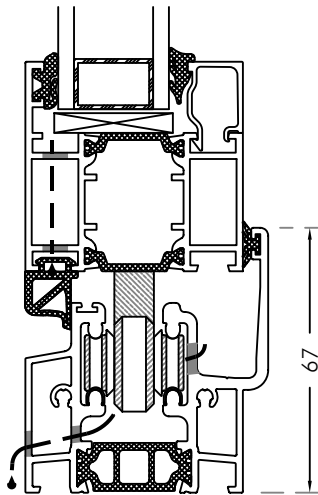


Description **Thermally Broken Aluminium Sills - Size Options**

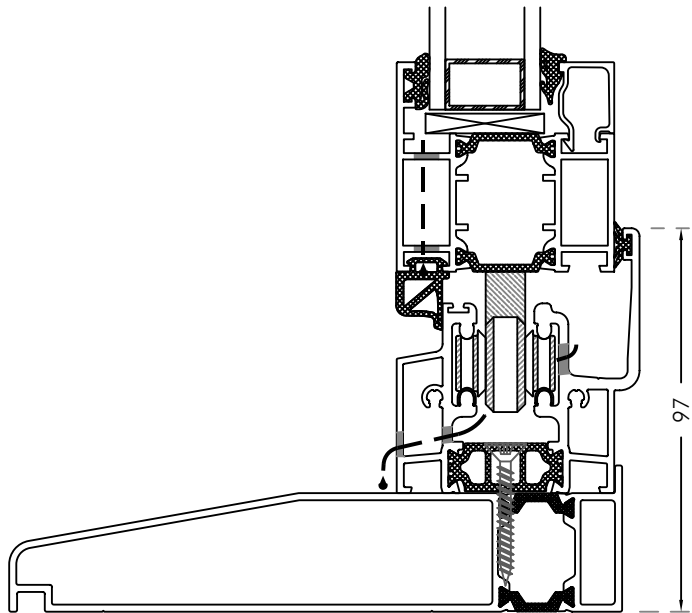
Detail No: **SF55-20**

System: **SF55**

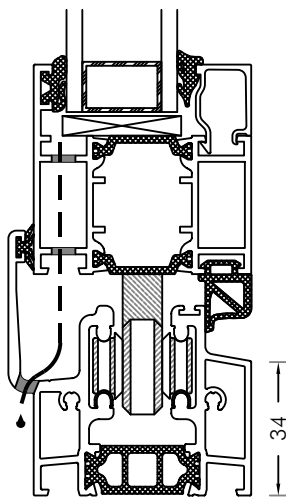
**A**



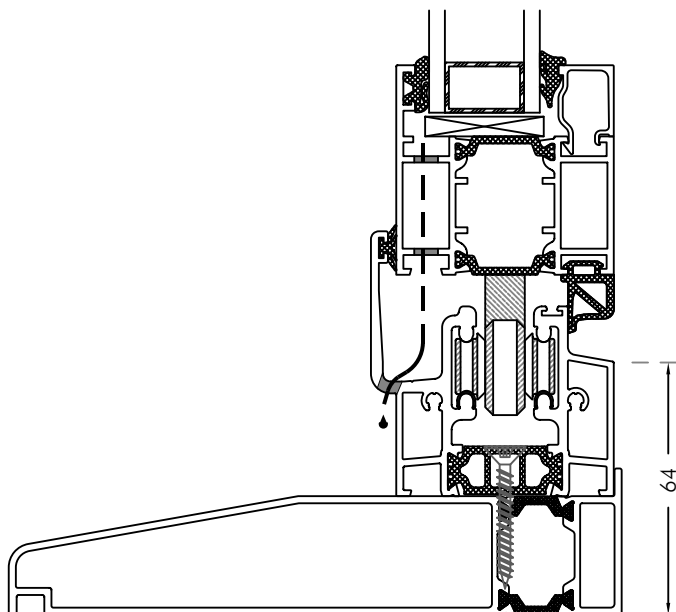
**Option 1, Open Out Weathered track**



**Option 3, Open Out Weathered track on 155mm Thermally Broken Sill**



**Option 2, Open In Weathered track**



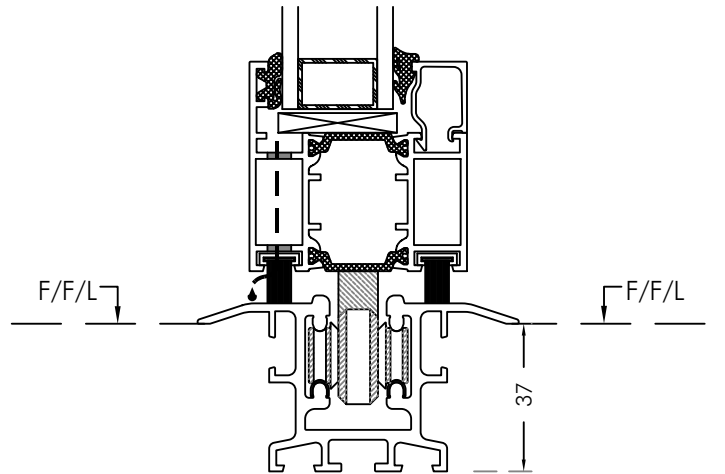
**Option 4, Open In Weathered track on 155mm Thermally Broken Sill**

Description **Vertical Section  
Threshold Options - Weathered Track**

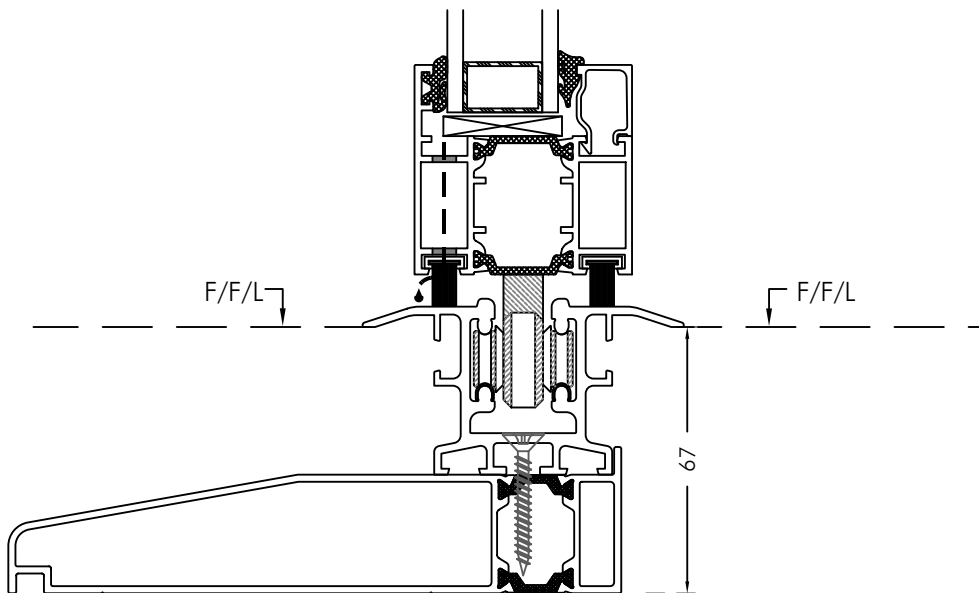
Detail No: **SF55-21**

System: **SF55**

**A**



**Option 5, Flush track**



**Option 6, Flush track on  
155mm Thermally Broken Sill**

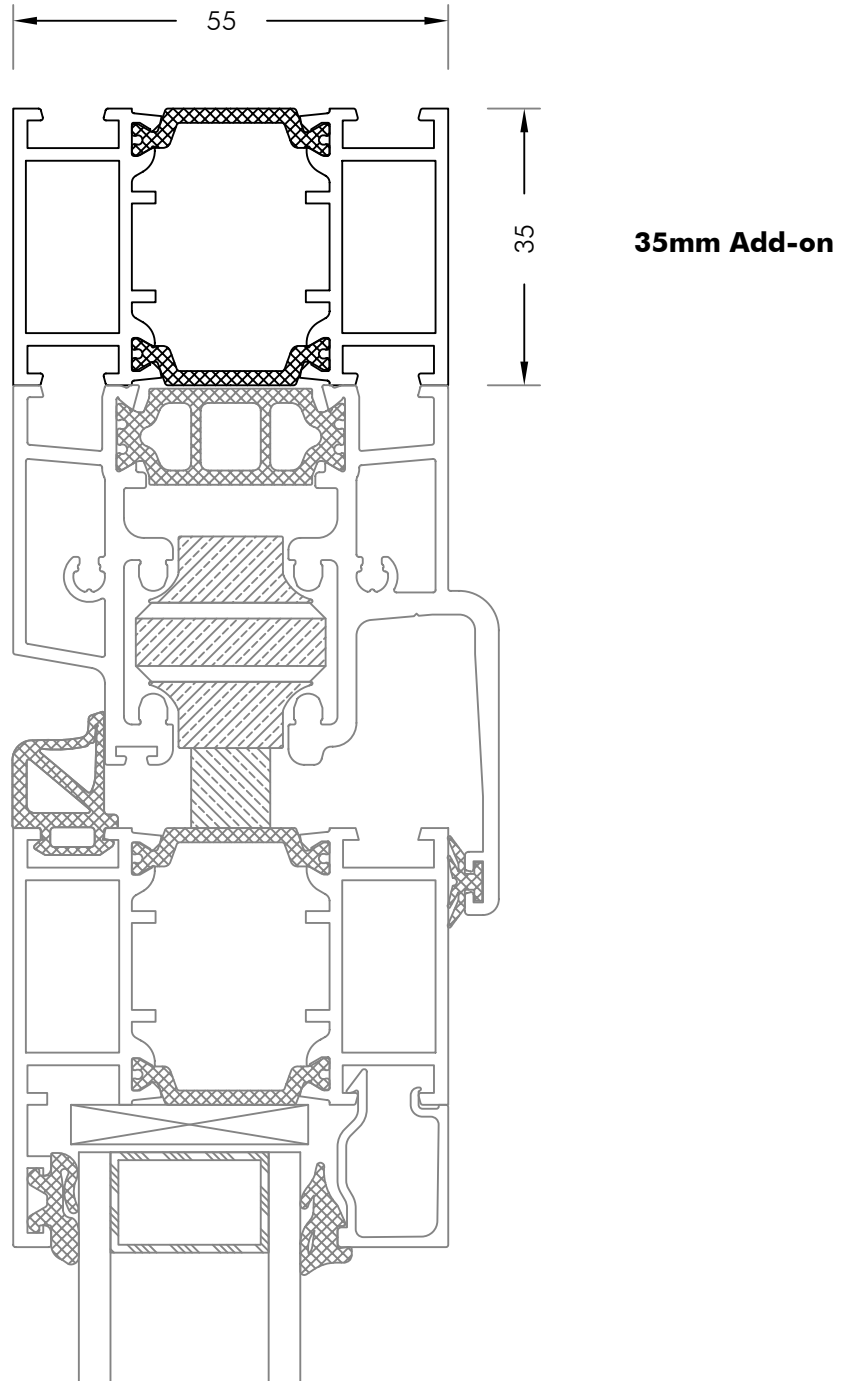
**Note: Flush Track Reduces Weather Rating  
Not Recommended for Exposed Locations**

Description **Vertical Section  
Threshold Options - Flush Track**

Detail No: **SF55-22**

System: **SF55**

**A**

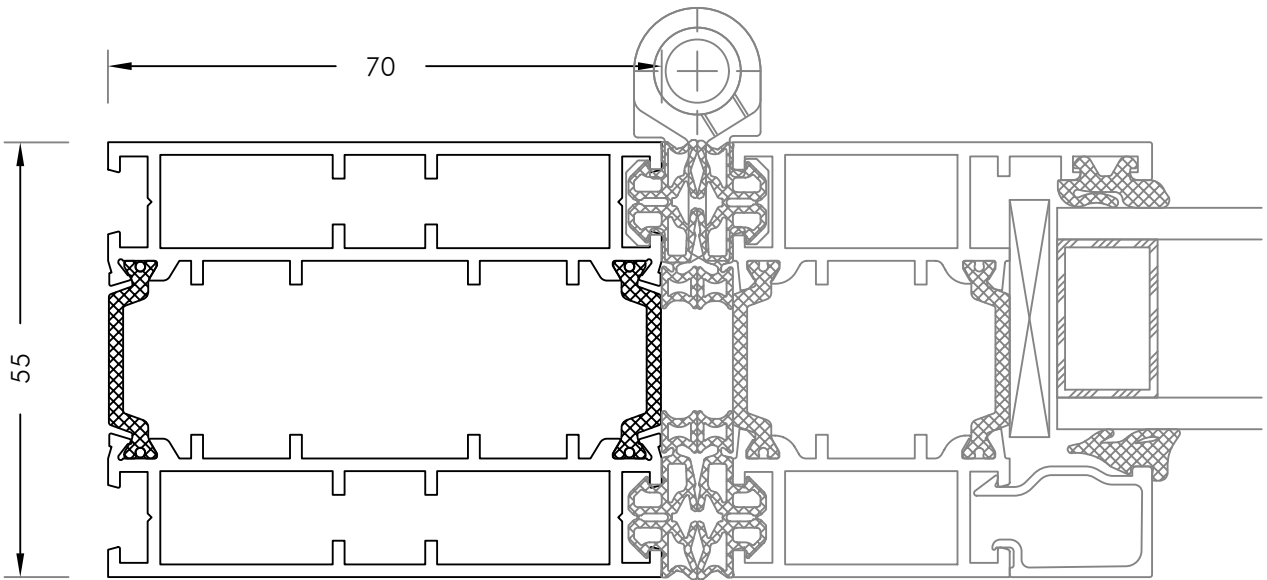


Description **Horizontal Section  
Additional Profiles**

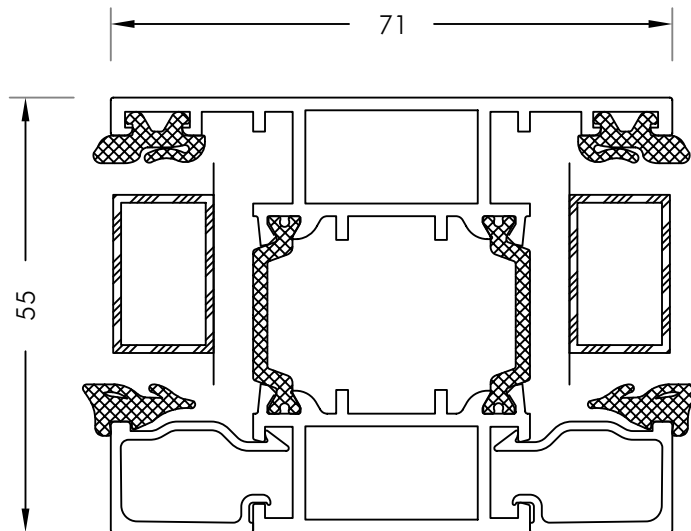
Detail No: **SF55-23**

System: **SF55**

**A**



**70mm Jamb**



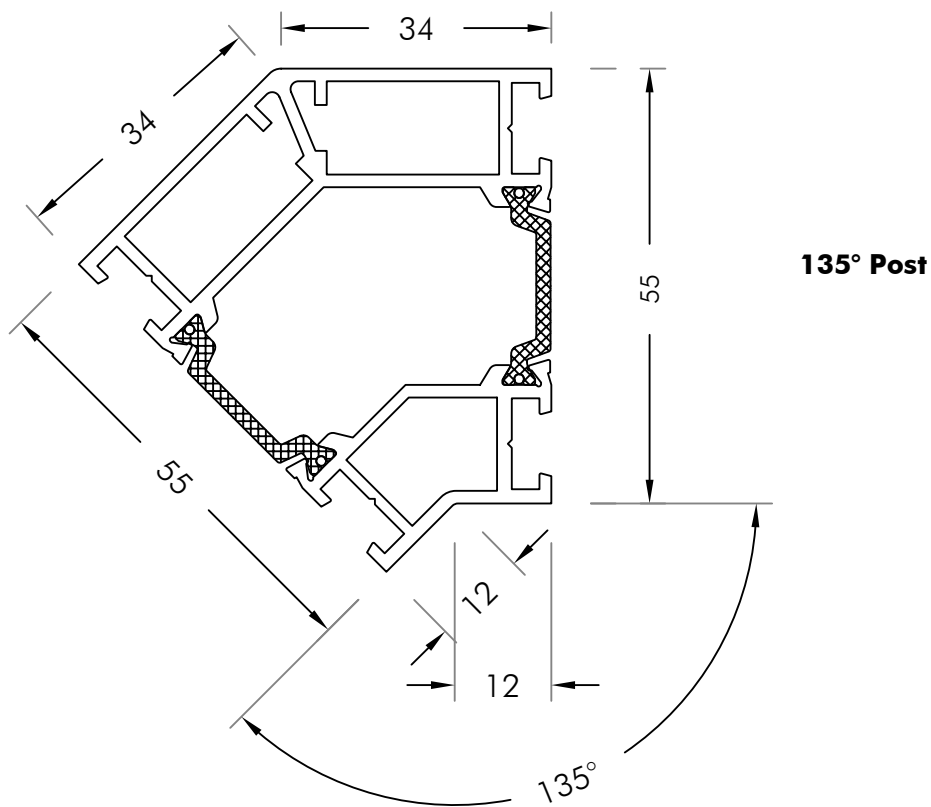
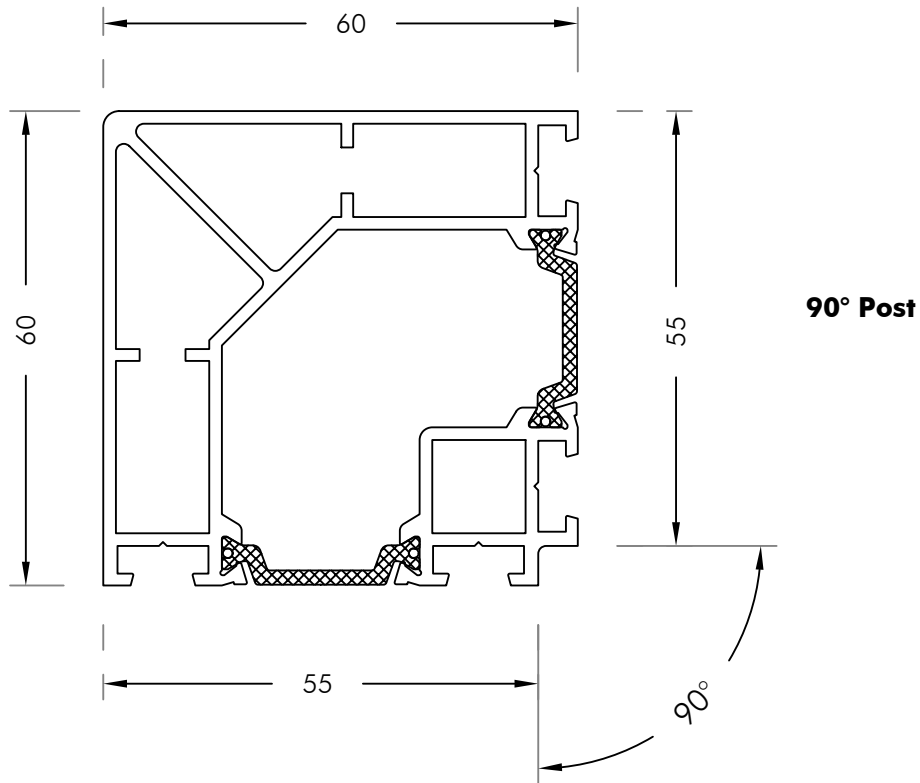
**Transom / Mullion**

Description **Horizontal Section**  
**Additional Profiles**

Detail No: **SF55-24**

System: **SF55**

**A**

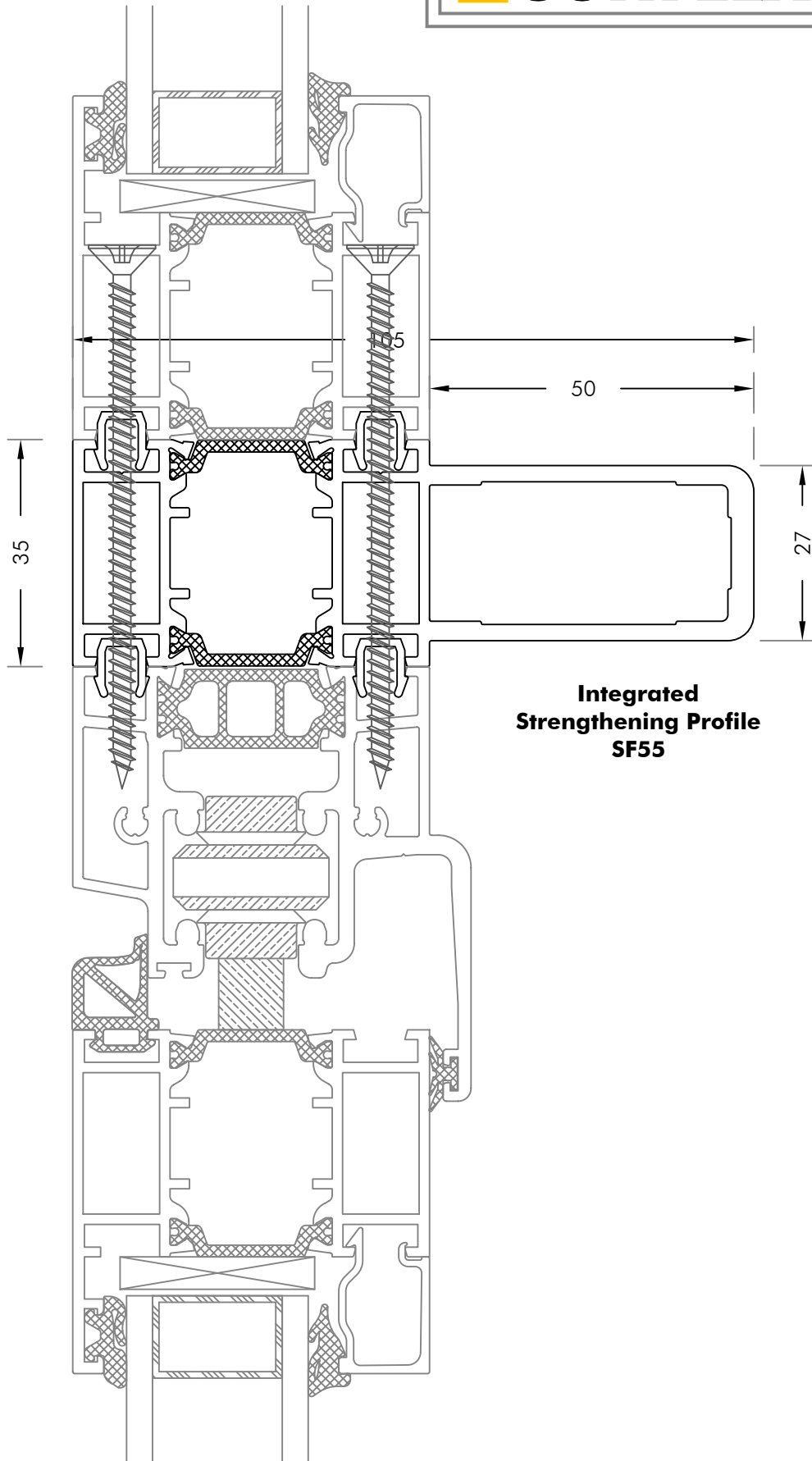


Description **Horizontal Section**  
**Vertical Post Options**

Detail No: **SF55-25**

System: **SF55**

**A**



**NB:-**

Required to be used on Door sets with Overlights when System Width Exceeds 3 M \* in Exposed Locations or when System Width Exceeds 4 M \* in Unexposed Locations

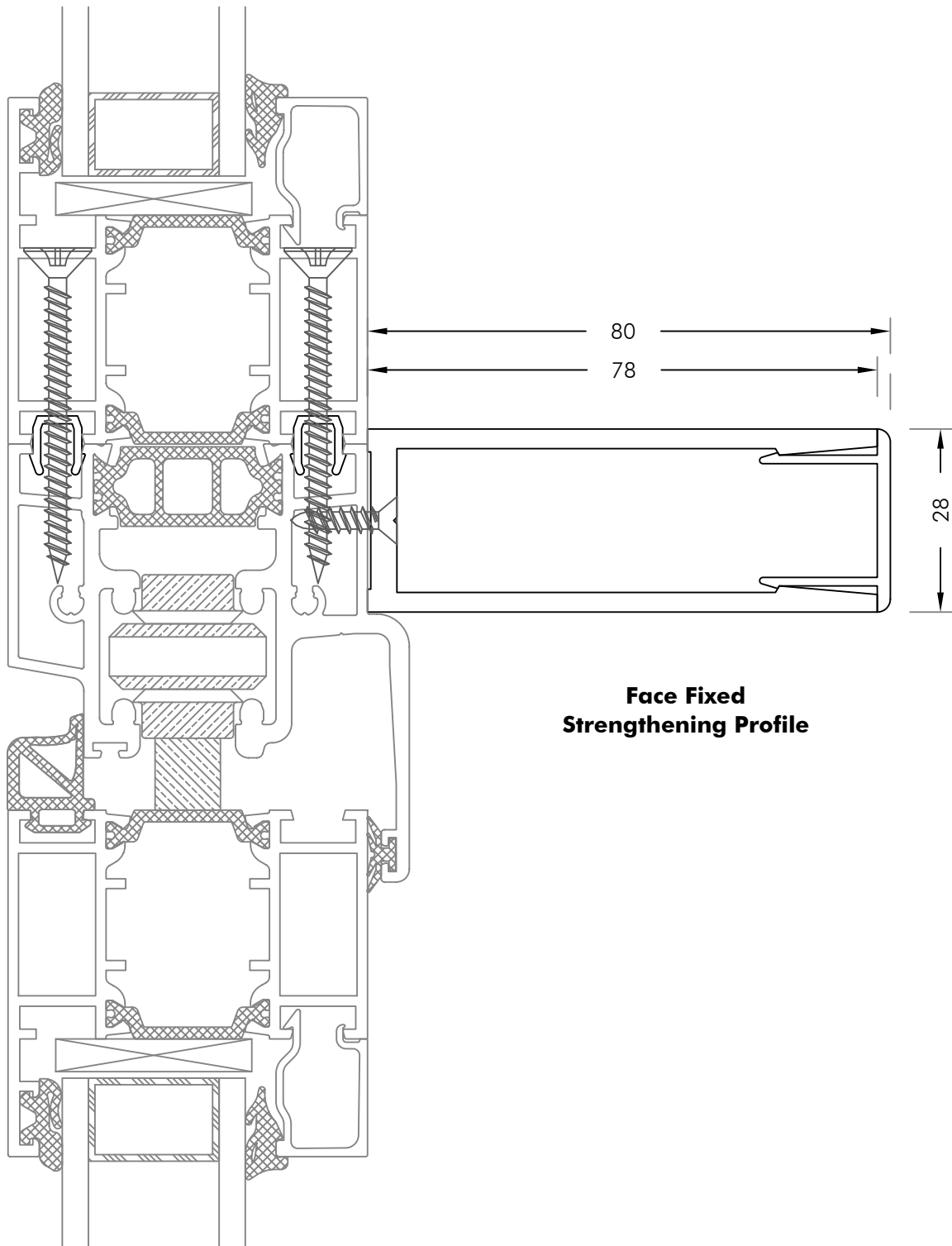
\* This dimension may vary according to the depth of the Overlights

Description **Vertical Section  
Overlight - Strengthening Profile - Top Track**

Detail No: **SF55-26**

System: **SF55**

**A**



**NB:-**

**Required to be used on Door sets with Overlights In Unexposed Locations when System Width Exceeds 2.5, upto a Maximum of 4 M \***

**\* This dimension may vary according to the depth of the Overlights**

Description **Vertical Section  
Overlight - Top Track with Additional Face Fixed  
Strengthening Profile**

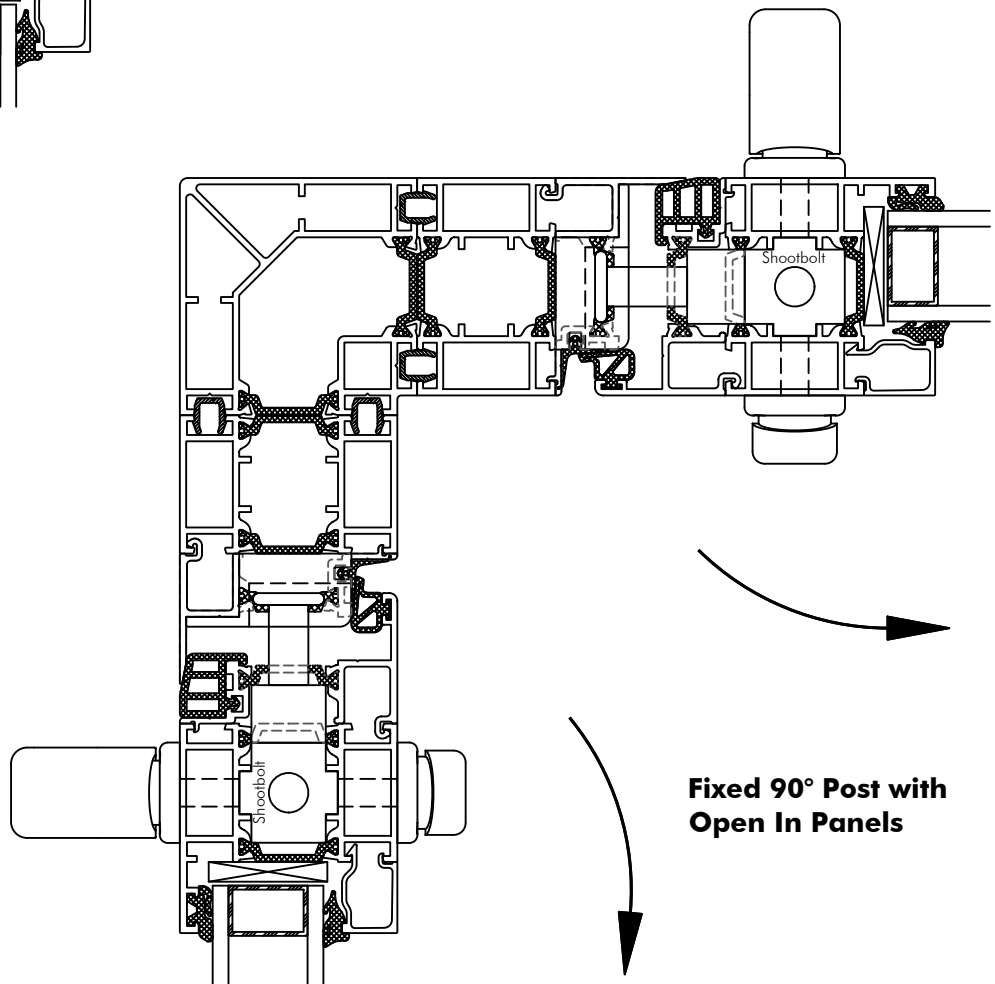
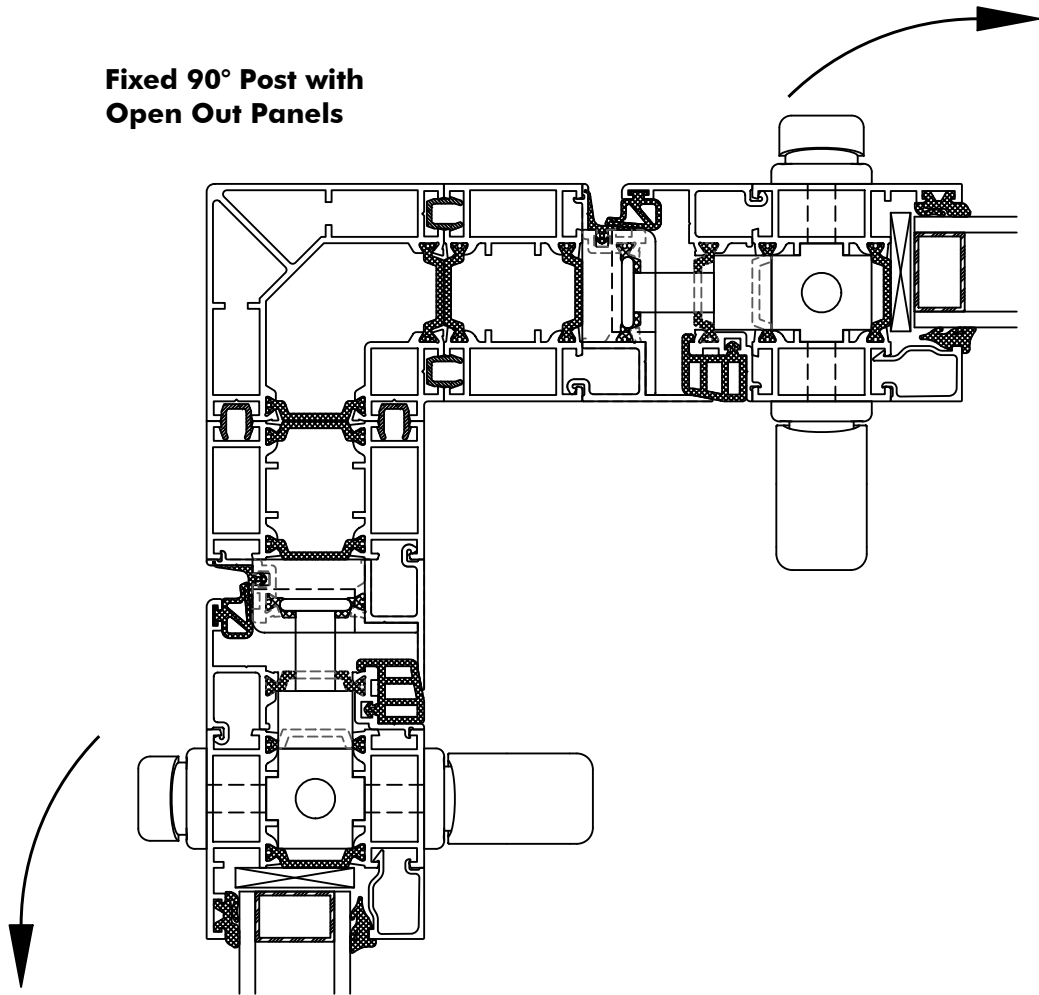
Detail No: **SF55-27**

System: **SF55**

**A**



**Fixed 90° Post with  
Open Out Panels**



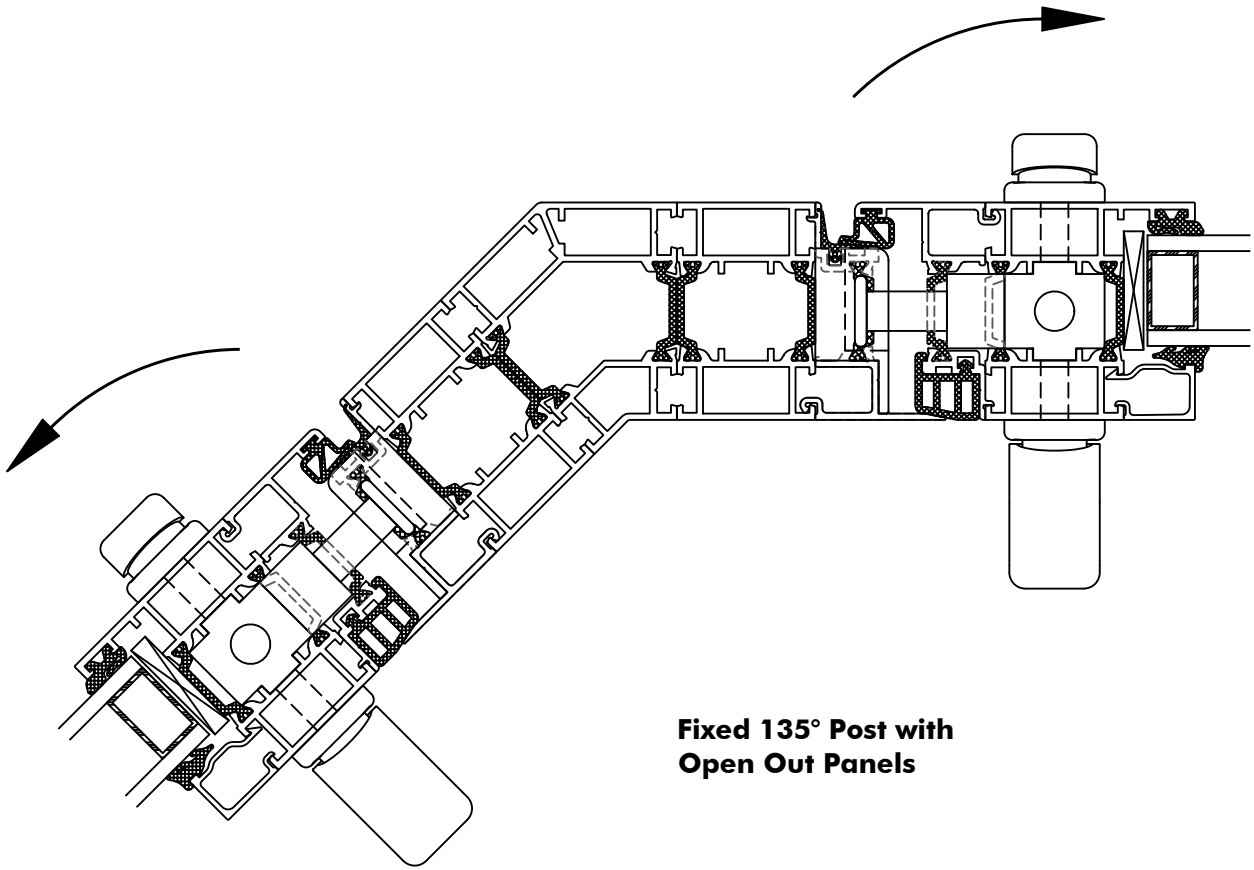
**Fixed 90° Post with  
Open In Panels**

Description **Horizontal Section**  
**Typical Fixed 90° Post Examples**

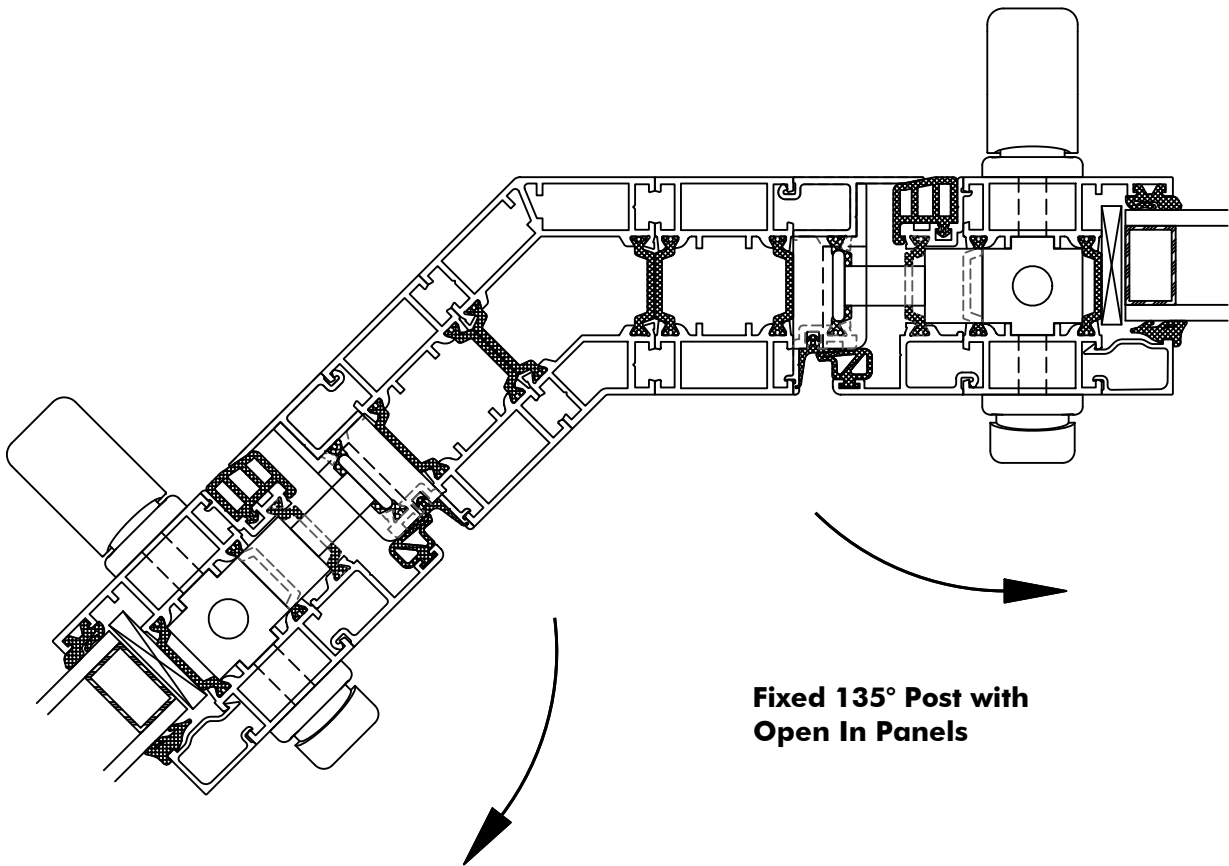
Detail No: **SF55-28**

System: **SF55**

**A**



**Fixed 135° Post with  
Open Out Panels**



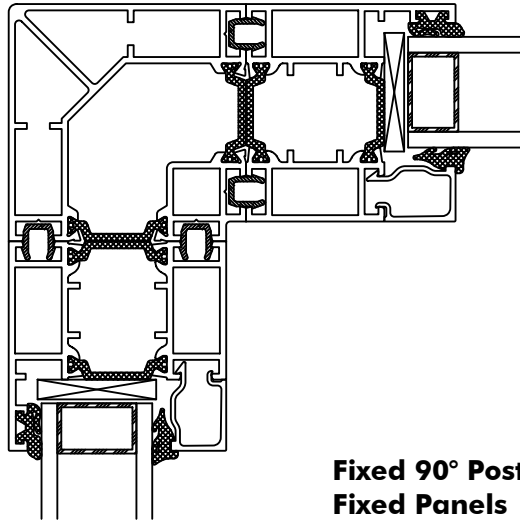
**Fixed 135° Post with  
Open In Panels**

Description **Horizontal Section  
Typical Fixed 135° Post Examples**

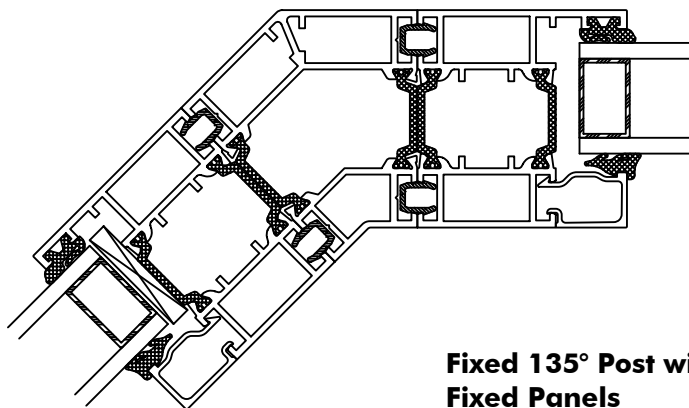
Detail No: **SF55-29**

System: **SF55**

**A**



**Fixed 90° Post with  
Fixed Panels**



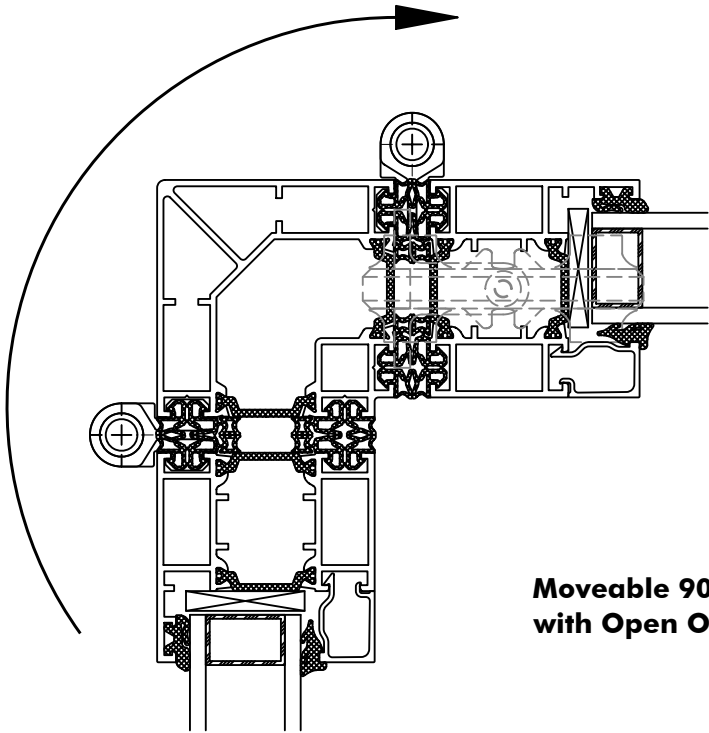
**Fixed 135° Post with  
Fixed Panels**

Description **Horizontal Section  
Typical Fixed Post Examples**

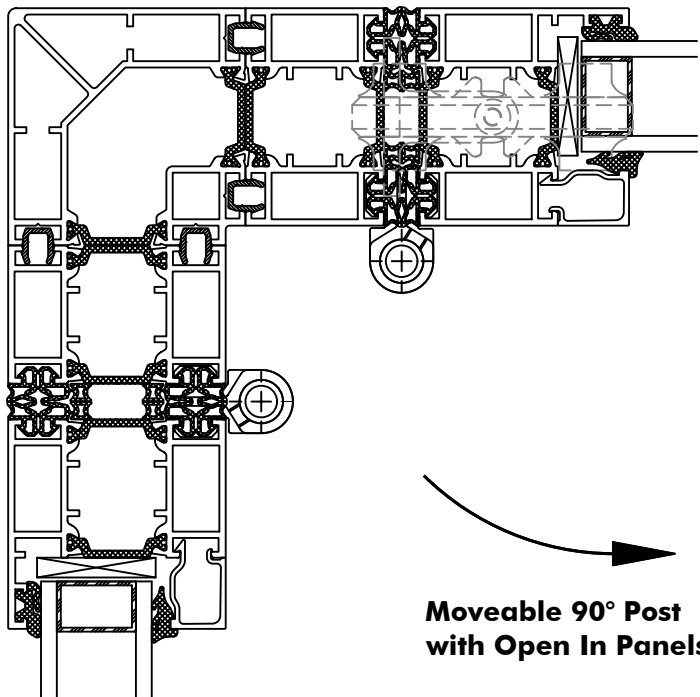
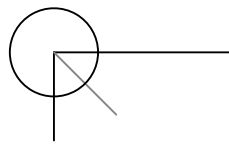
Detail No: **SF55-30**

System: **SF55**

**A**



**Moveable 90° Post  
with Open Out Panels**



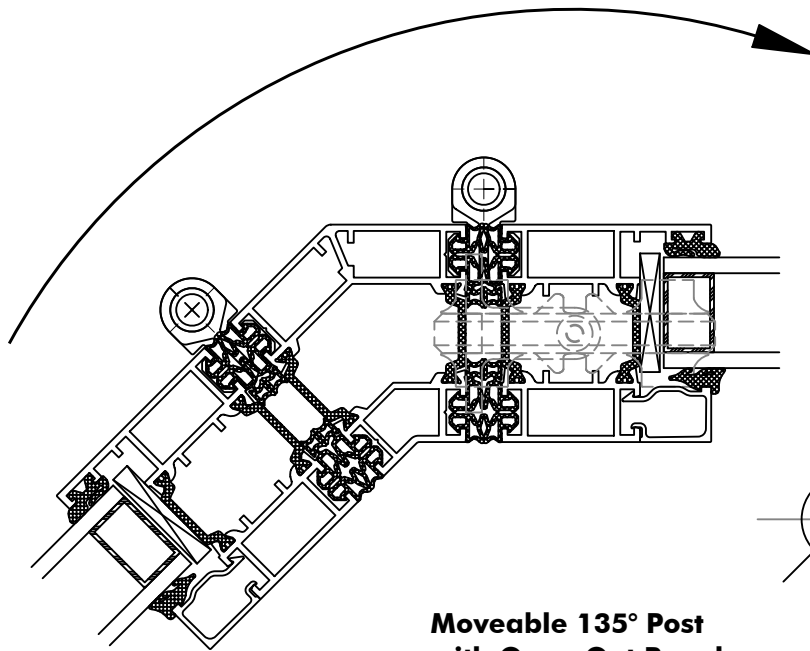
**Moveable 90° Post  
with Open In Panels**

Description **Horizontal Section  
Typical Moveable 90° Post Examples**

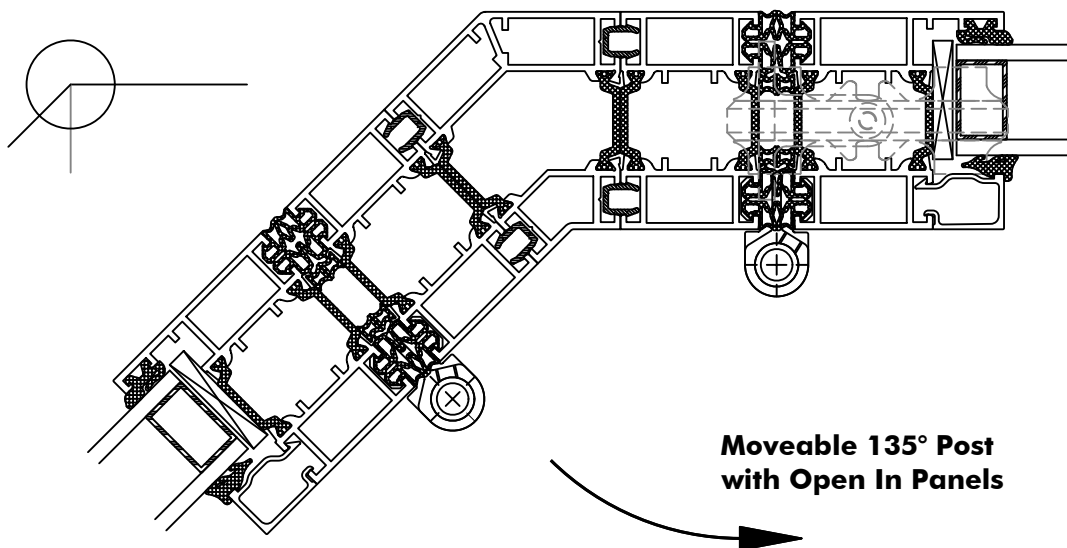
Detail No: **SF55-31**

System: **SF55**

**A**



**Moveable 135° Post  
with Open Out Panels**



**Moveable 135° Post  
with Open In Panels**

Description **Horizontal Section  
Typical Moveable 135° Post Examples**

Detail No: **SF55-32**

System: **SF55**

**A**