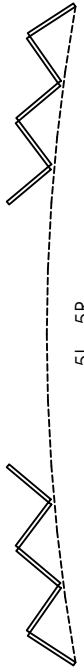
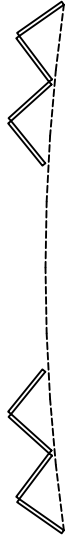


Please Note
The Above is a Selection of the Most Popular Straight Run Configurations.
These are Available Either Open Out or Open In.
The ● Configurations Can Also Be Supplied Opposite Hand.
Corner and Faceted Curved Options are Also Available

Description	SF70
	Thermally Broken Aluminium Folding Sliding Door System Configuration Options
Detail No:	SF70-00
System:	SF70
	A



5L - 5R



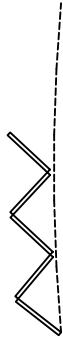
4L - 4R



4L - 3R



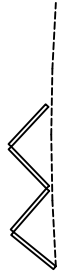
3L - 3R



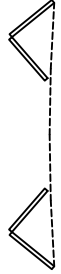
5L



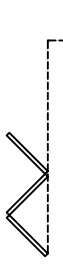
3L - 2R



4L



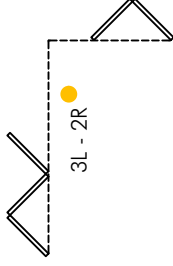
2L - 2R



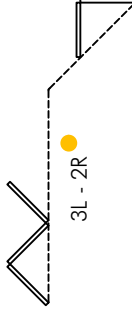
3L - 3R



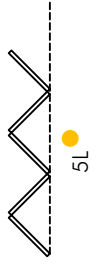
3L - 3R



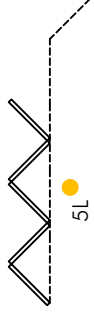
3L - 2R



3L - 2R



5L



5L

Please Note
The Above is a Selection of Corner and Faceted Curved Options.
These are Available Either Open Out or Open In.
The ● Configurations Can Also Be Supplied Opposite Hand.

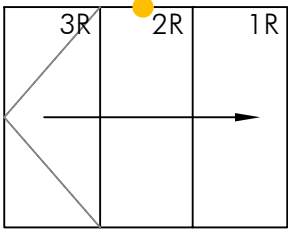
Description **SF70**

Thermally Broken Aluminium Folding Sliding Door System
Special Configuration Options

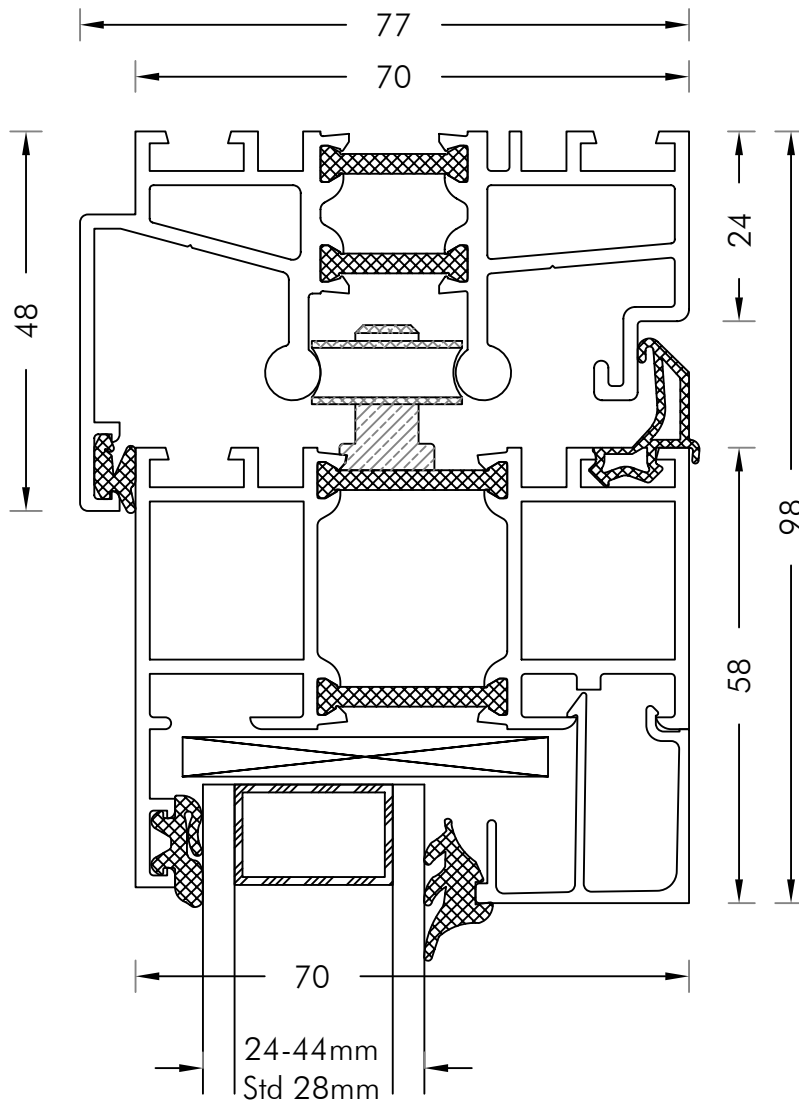
Detail No: **SF70-00 B**

System: **SF70**

A



OUTSIDE



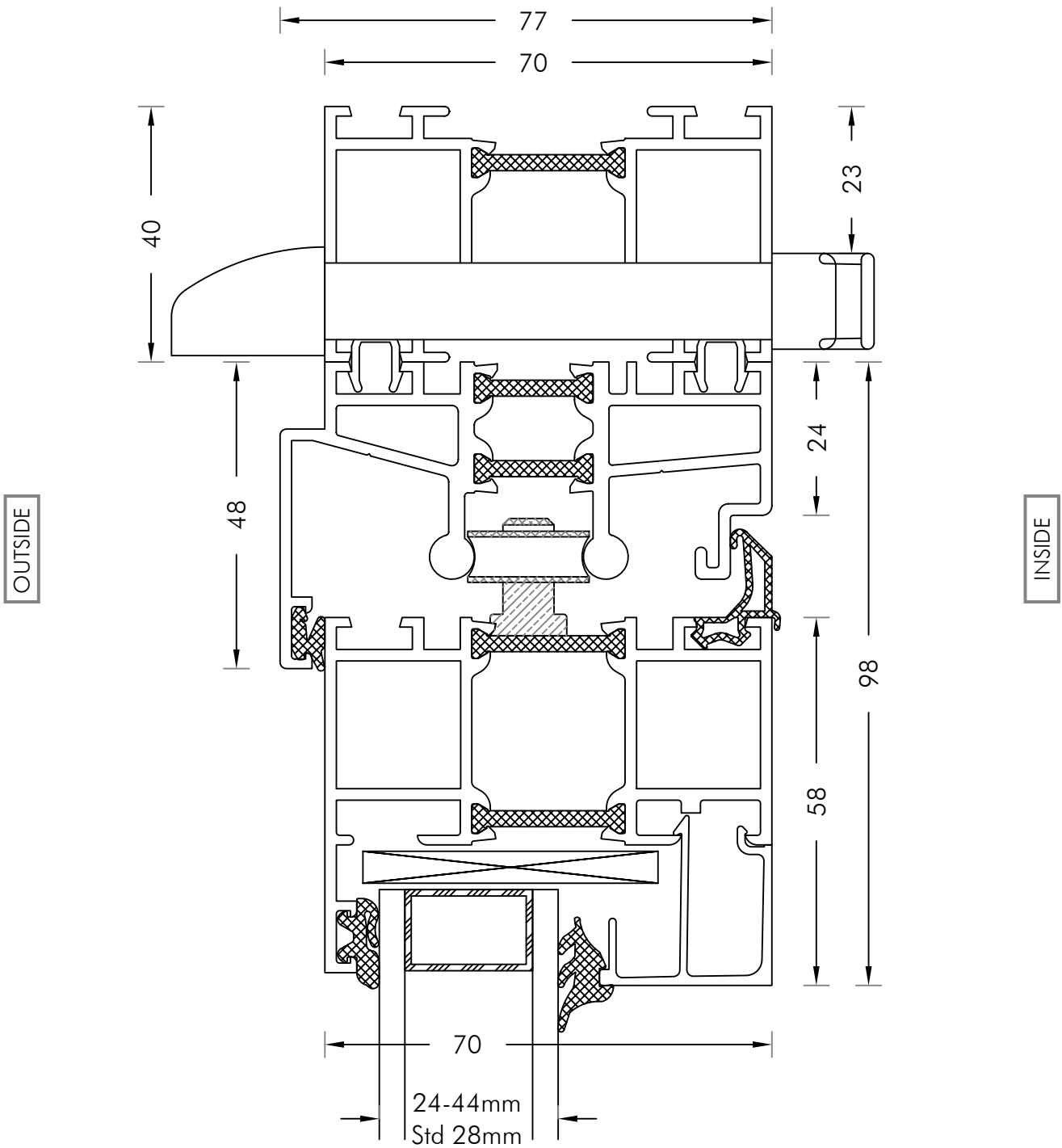
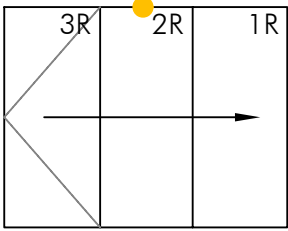
INSIDE

Description **Vertical Section - Connection**
Top Track - Panel / Open In

Detail No: **SF70-01**

System: **SF70 WE**

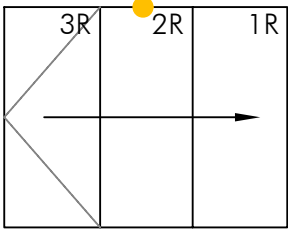
A



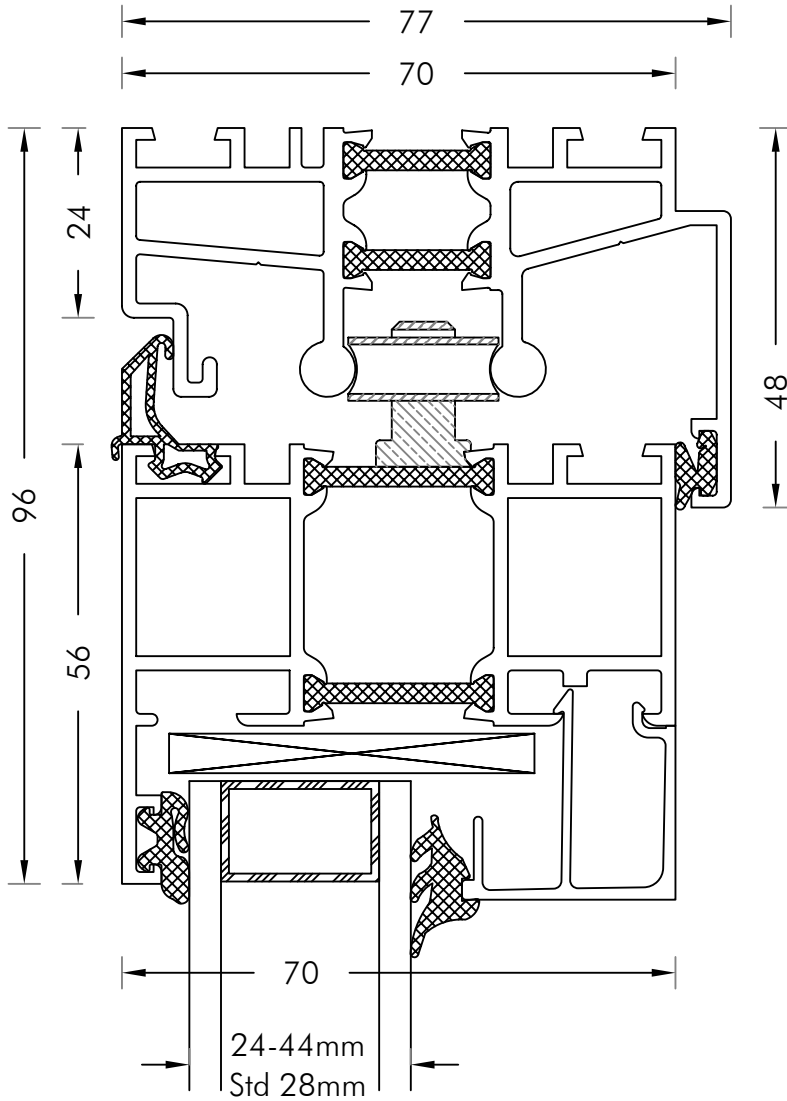
Description **Vertical Section - Connection**
Top Track With 40mm Extension And Trickle Vent - Panel /
Open In

Detail No: **SF70-01TV**

System: **SF70 WE** **A**



OUTSIDE



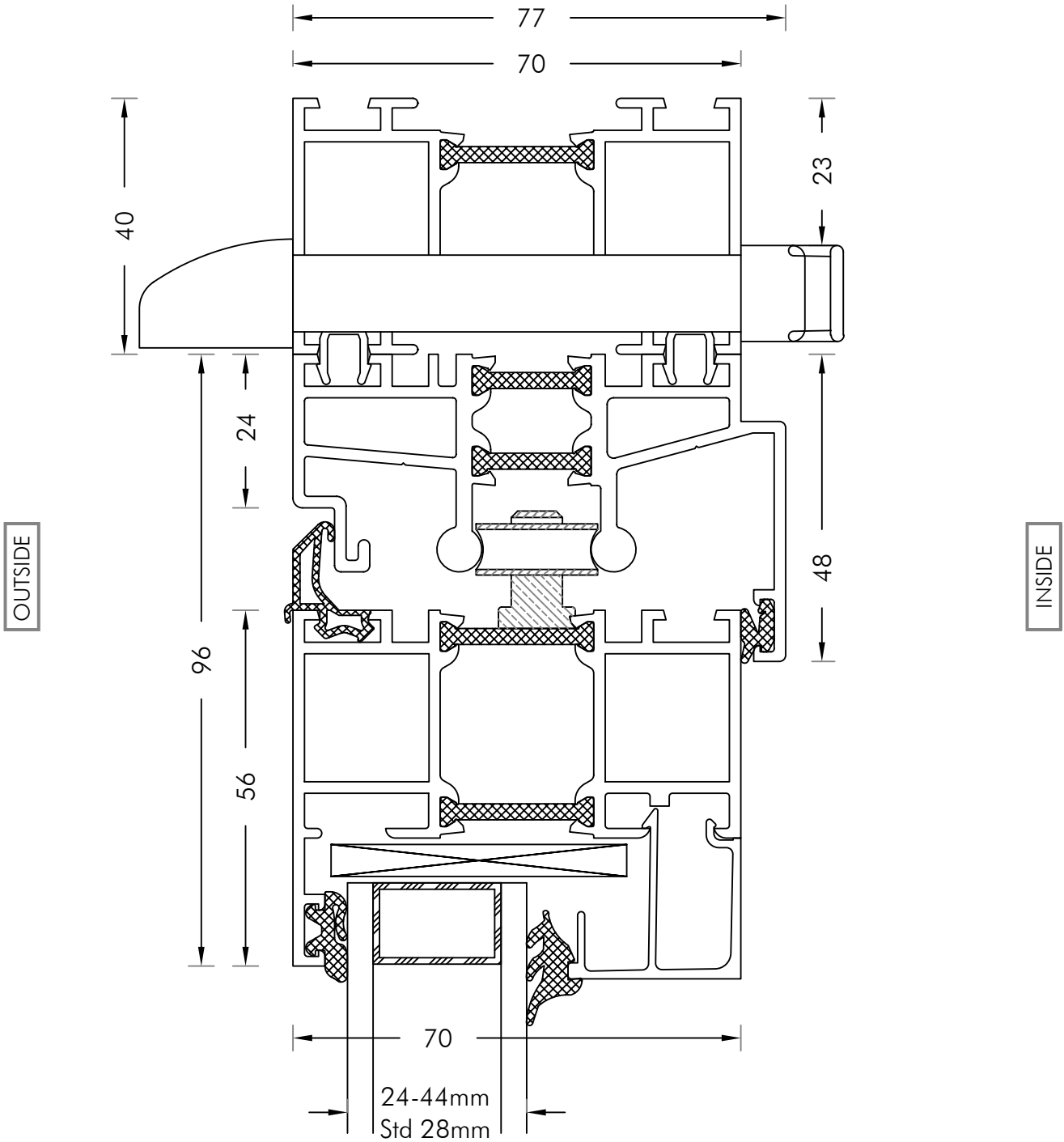
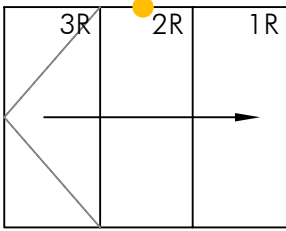
INSIDE

Description **Vertical Section - Connection
Top Track - Panel / Open Out**

Detail No: **SF70-02**

System: **SF70 WE**

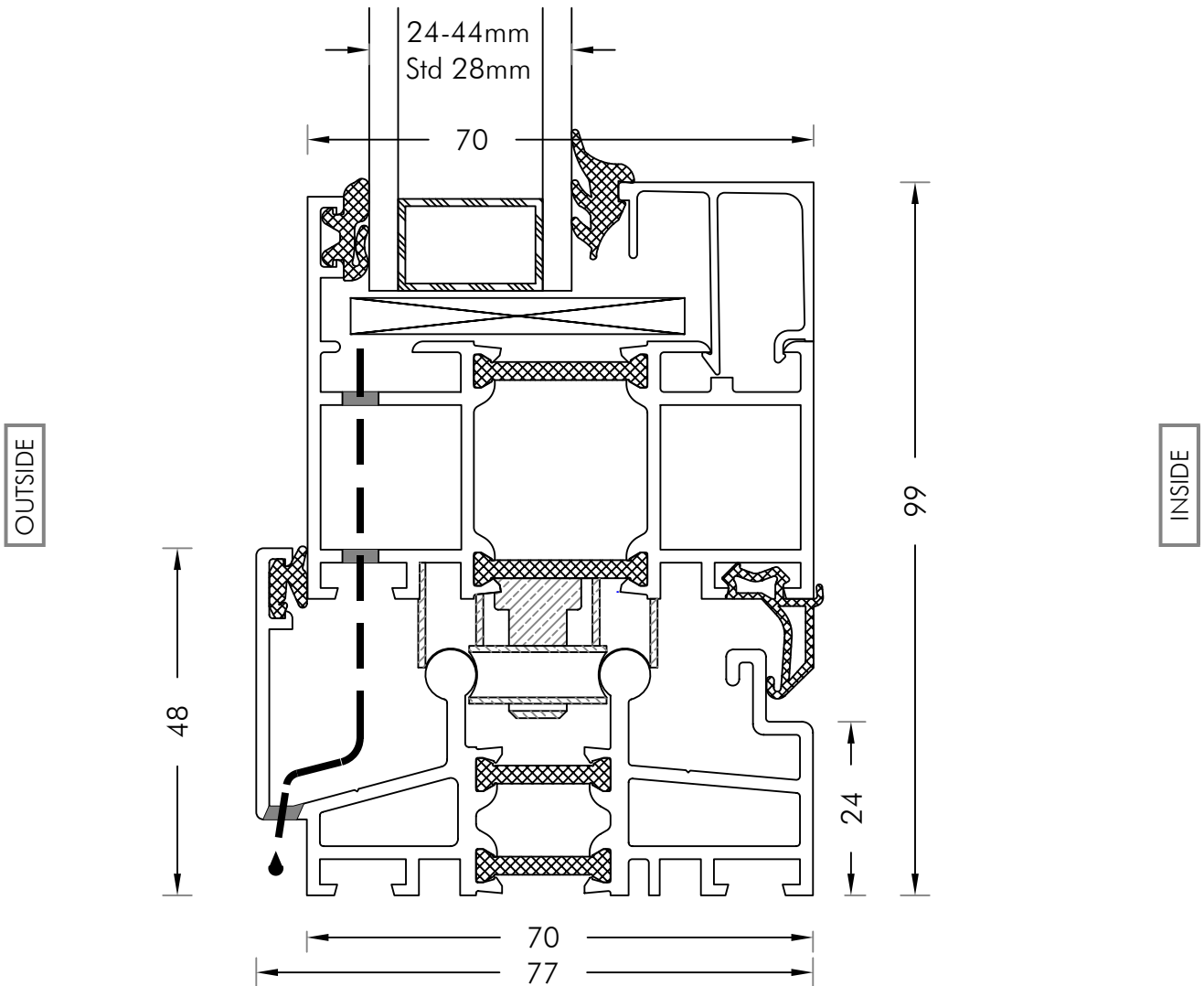
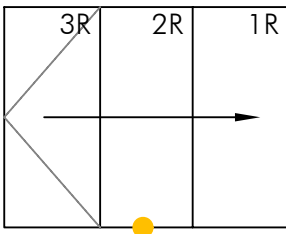
A



Description **Vertical Section - Connection**
Top Track With 40mm Extension And Trickle Vent - Panel /
Open Out

Detail No: **SF70-02TV**

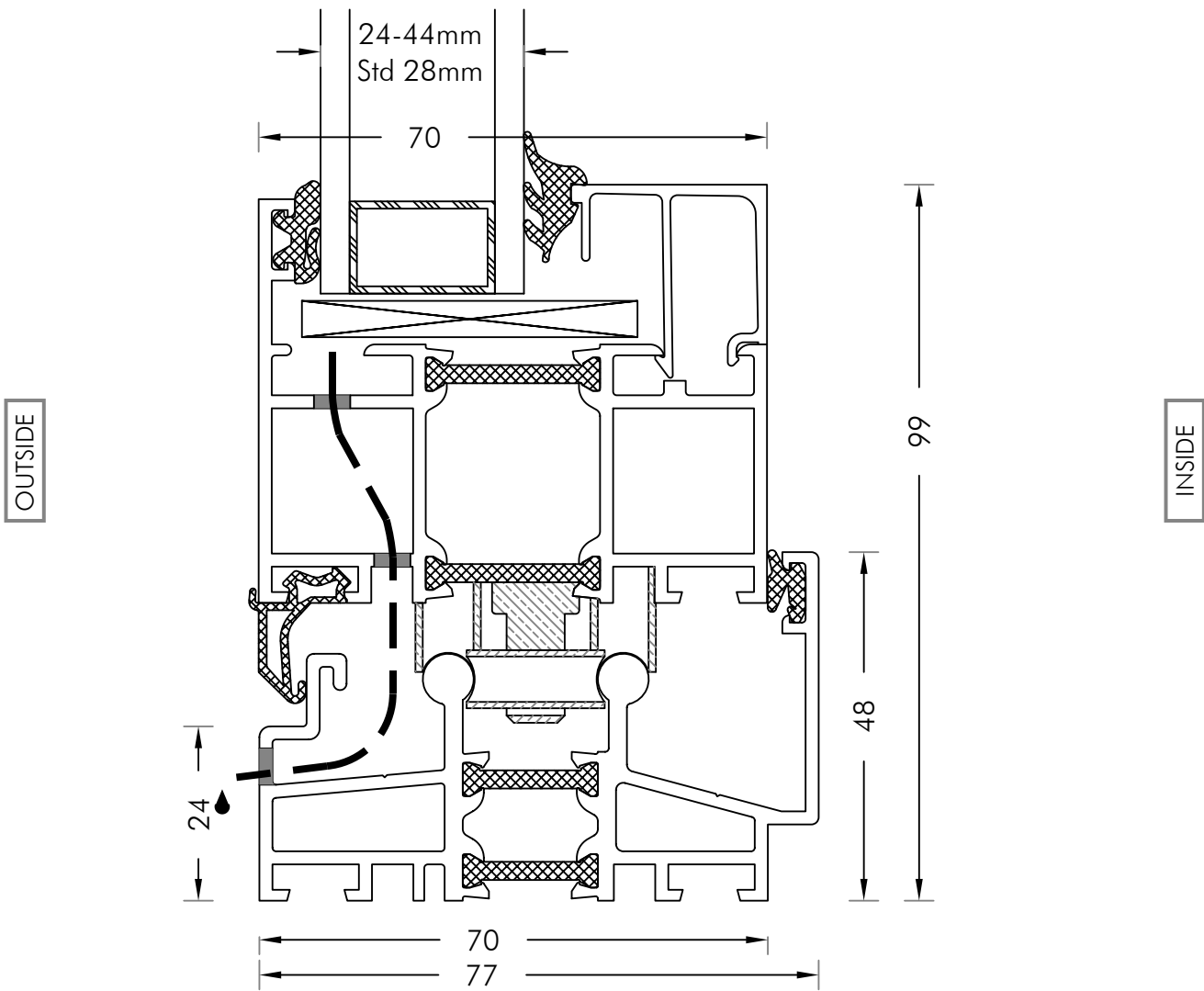
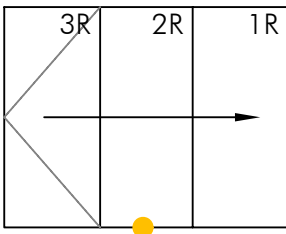
System: **SF70 WE** **A**



Description **Vertical Section - Connection**
Panel - Bottom Weathered Track / Open In

Detail No: **SF70-03**

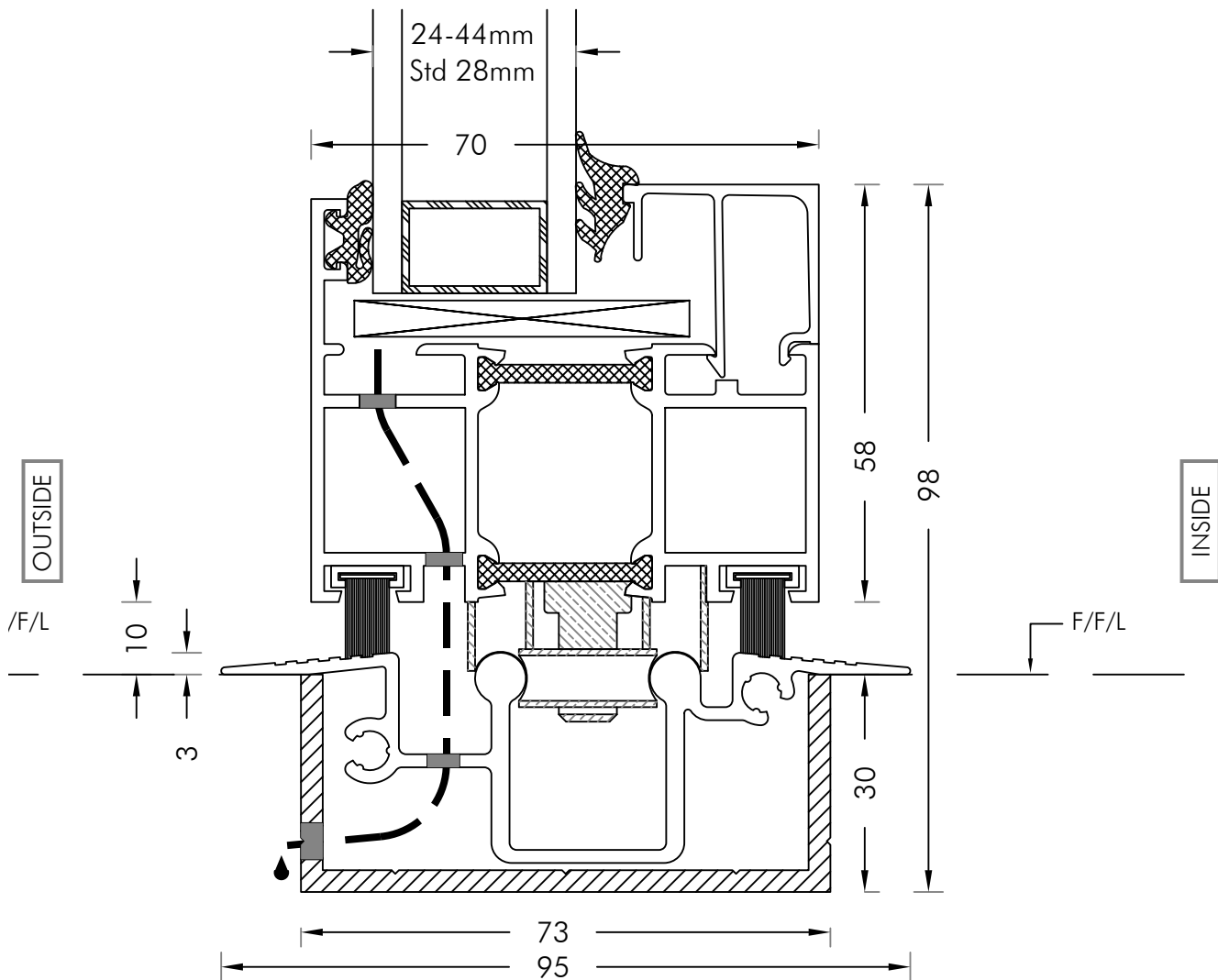
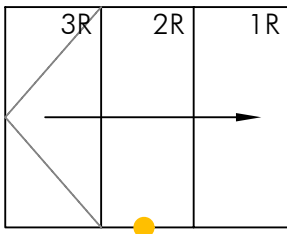
System: **SF70 WE** **A**



Description **Vertical Section - Connection**
Panel - Bottom Weathered Track / Open Out

Detail No: **SF70-04**

System: **SF70 WE** **A**



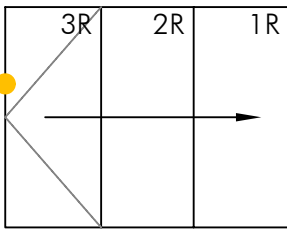
**Note: Flush Track Reduces Weather Rating
 Not Recommended for Exposed Locations
 On External Flush Track Systems We Recommend External Floor Level (Unless Decking),
 is Laid with a Fall Away from the Track to Prevent Water Ingress**

Description **Vertical Section - Connection
 Panel - Bottom Flush Track**

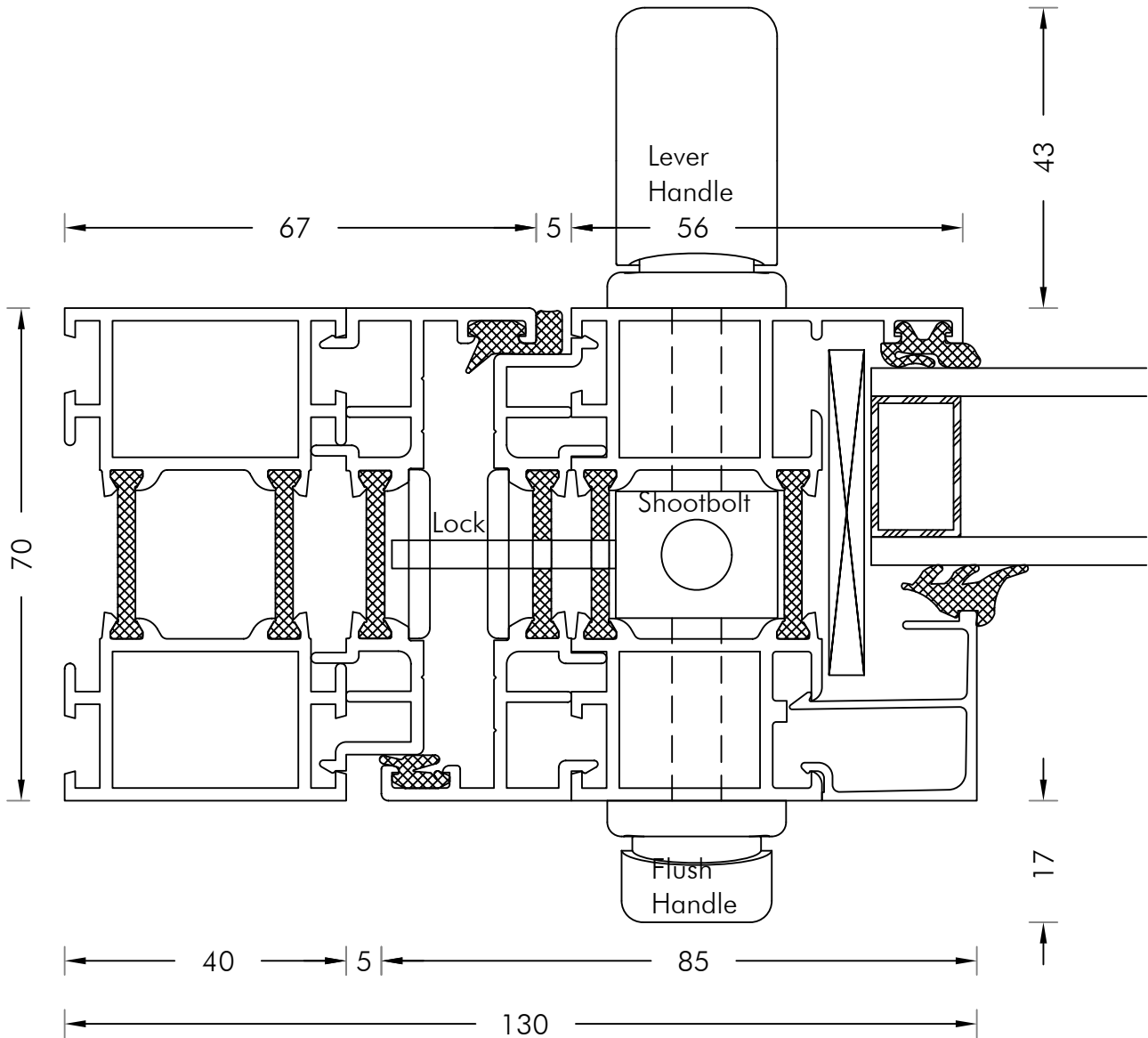
Detail No: **SF70-05**

System: **SF70 WE**

A



OUTSIDE



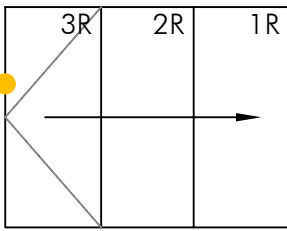
INSIDE

Description **Horizontal Section - Connection**
Closing Jamb - Panel 3R / Open In

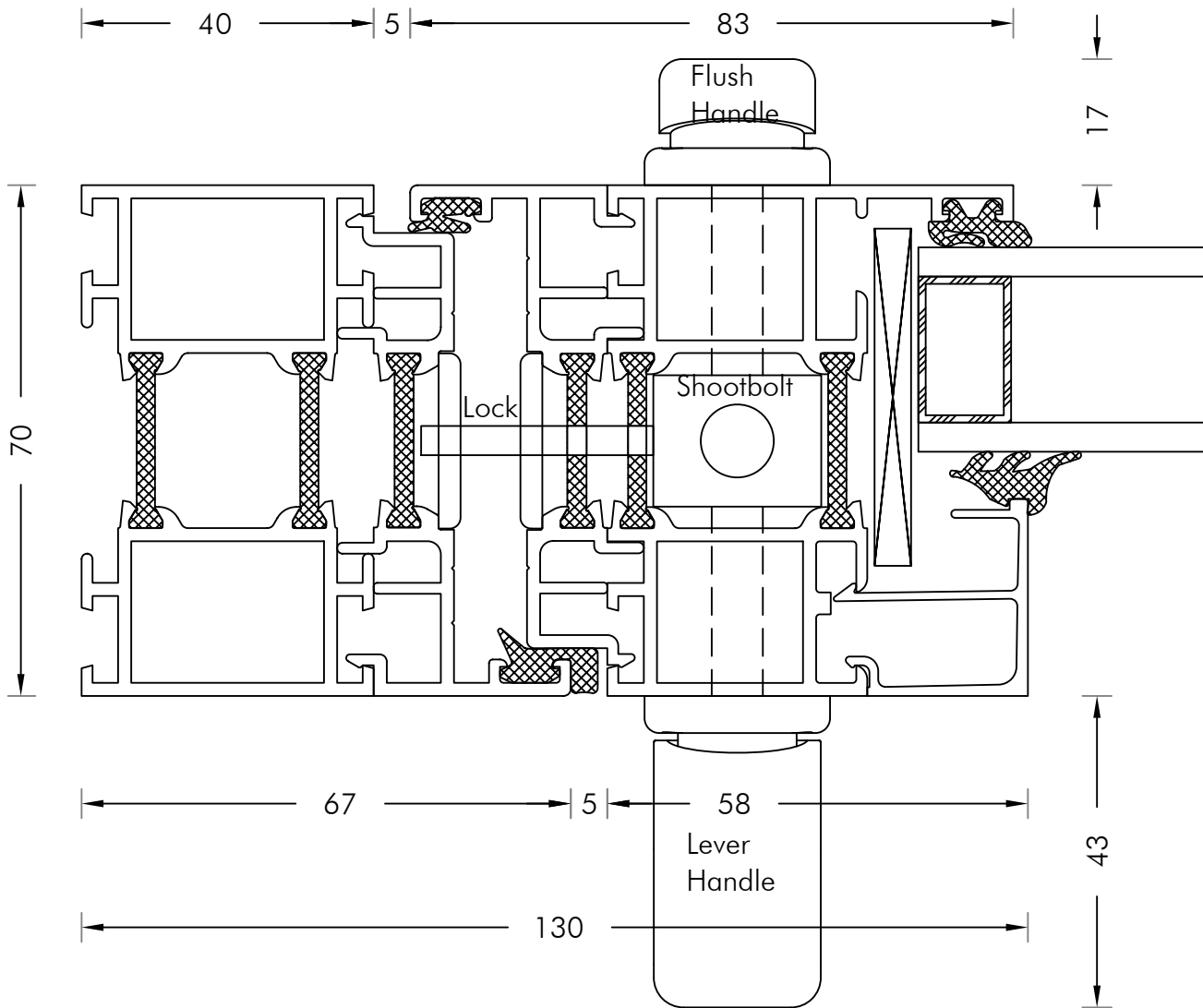
Detail No: **SF70-06**

System: **SF70 WE**

A



OUTSIDE



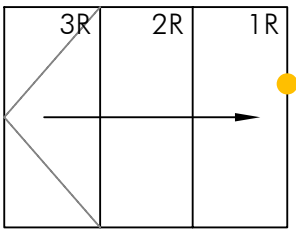
INSIDE

Description **Horizontal Section - Connection**
Closing Jamb - Panel 3R / Open Out

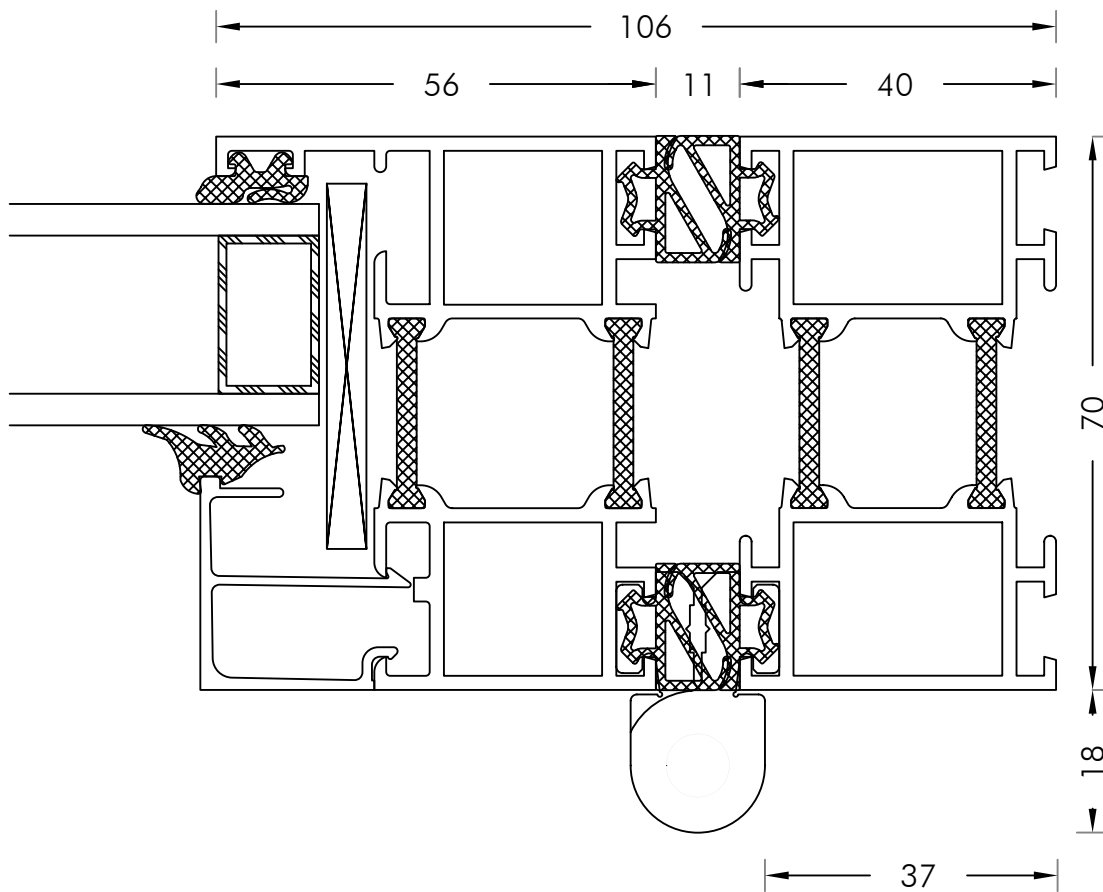
Detail No: **SF70-07**

System: **SF70 WE**

A



OUTSIDE

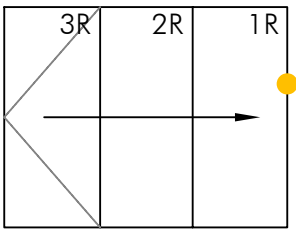


INSIDE

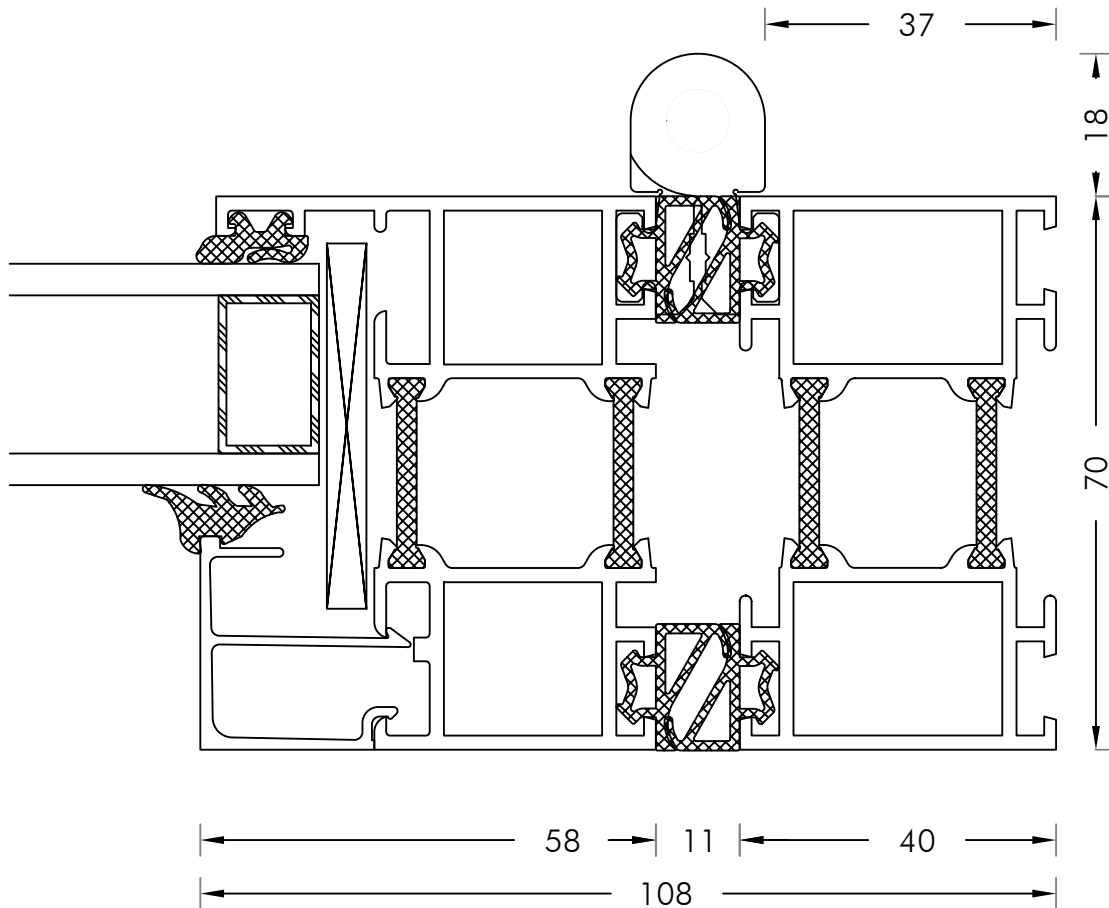
Description **Horizontal Section - Connection**
Panel 1R - Hinge Jamb / Open In

Detail No: **SF70-08**

System: **SF70 WE** **A**



OUTSIDE

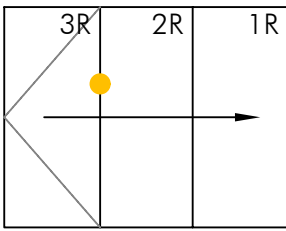


INSIDE

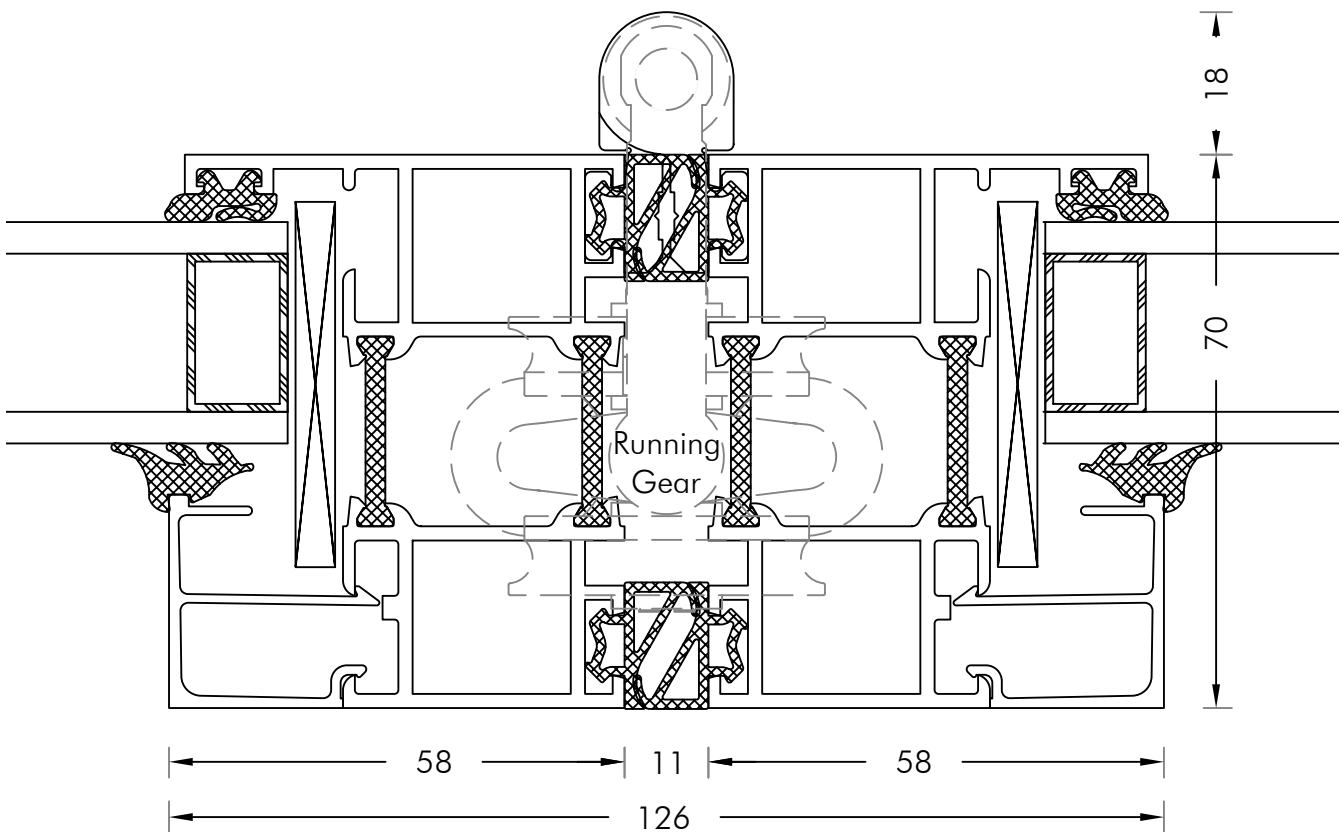
Description **Horizontal Section - Connection**
Panel 1R - Hinge Jamb / Open Out

Detail No: **SF70-09**

System: **SF70 WE** **A**



OUTSIDE

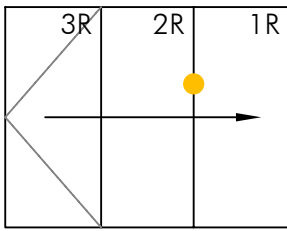


INSIDE

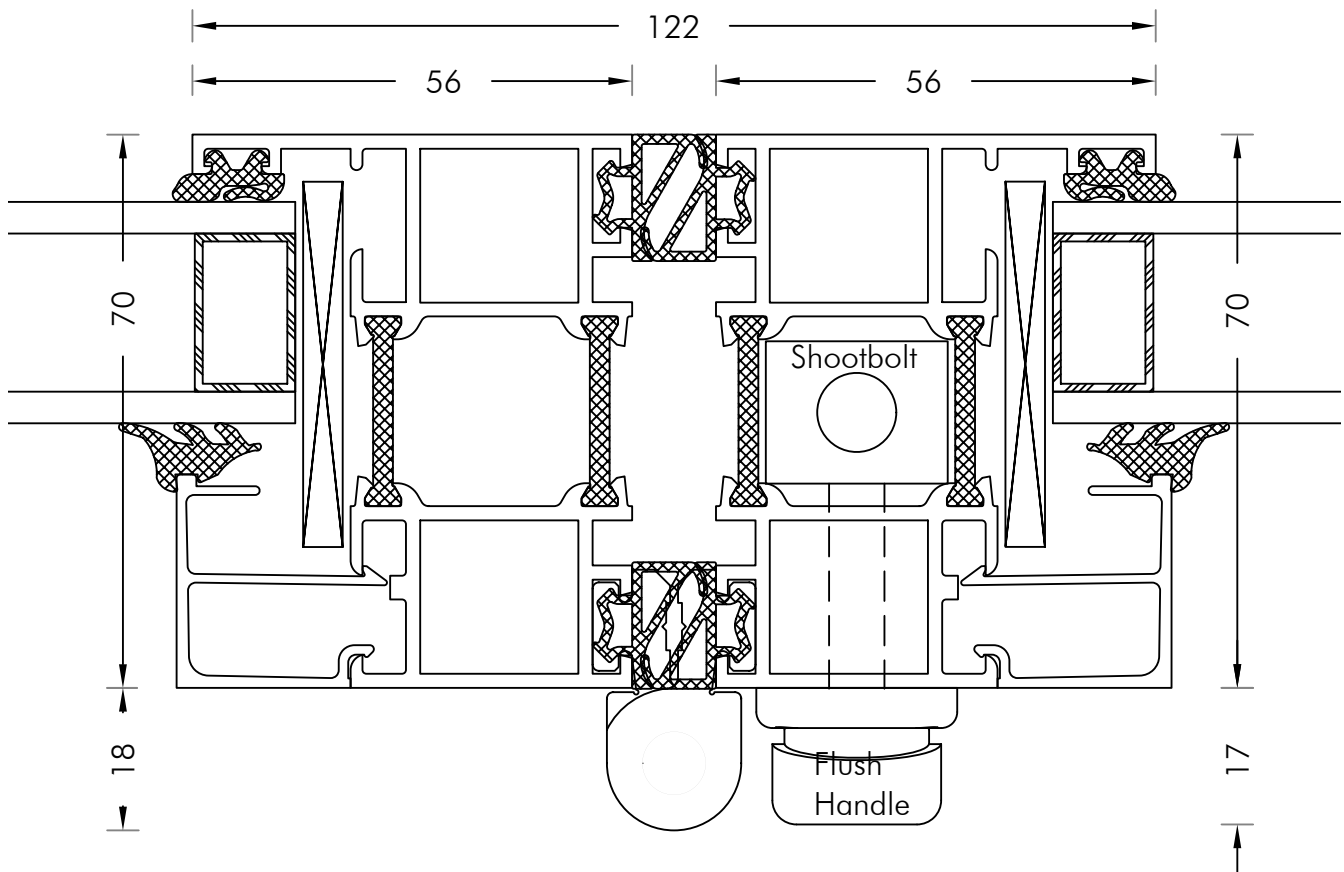
Description **Horizontal Section - Connection
Panel 3R - Panel 2R / Open Out**

Detail No: **SF70-10**

System: **SF70 WE** **A**



OUTSIDE



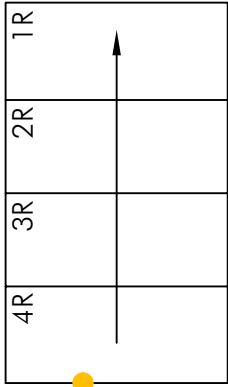
INSIDE

Description **Horizontal Section - Connection
Panel 2R - Panel 1R / Open Out**

Detail No: **SF70-11**

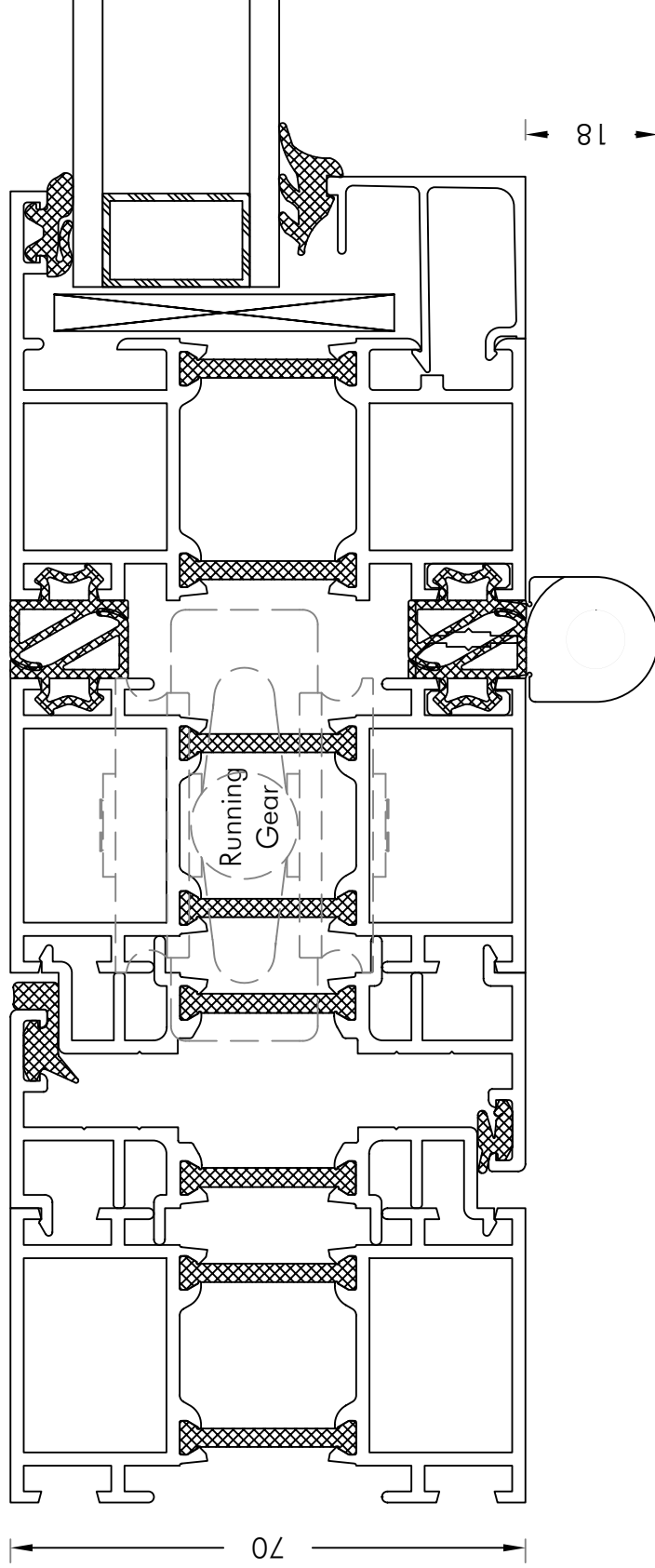
System: **SF70 WE** **A**

OUTSIDE



178

67 5 40 11 56



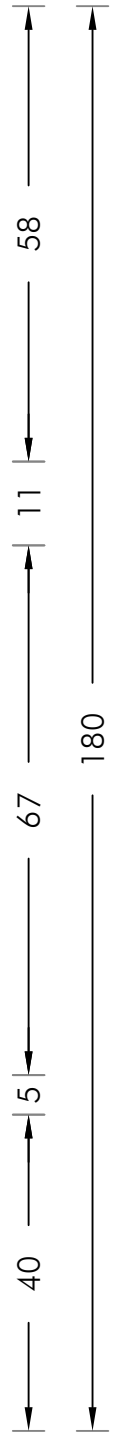
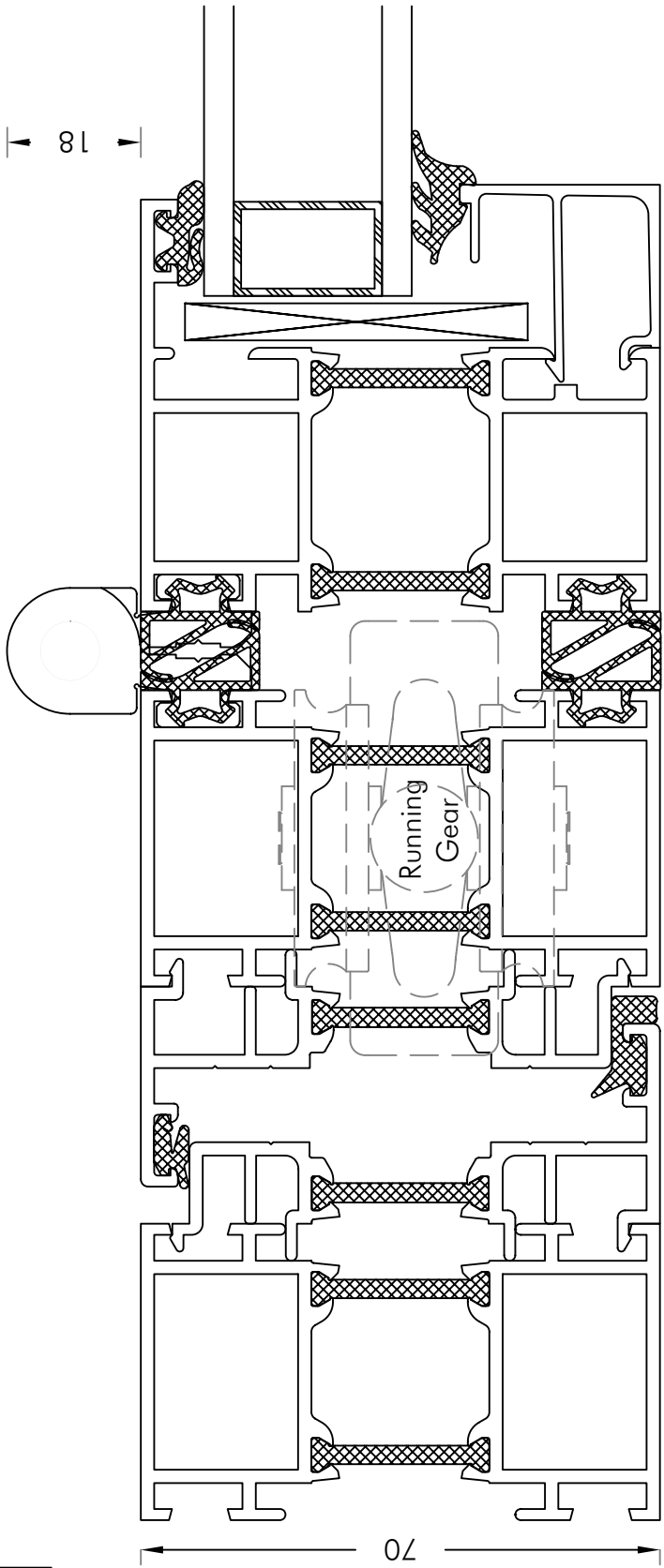
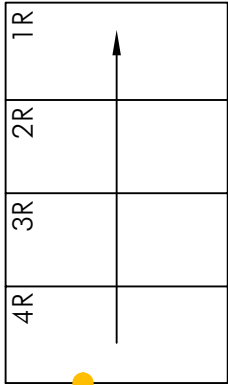
INSIDE

Description **Horizontal Section - Connection**
Closing Jamb - Sliding Post - Panel 4R / Open In

Detail No: **SF70-12**

System: **SF70 WE A**

OUTSIDE



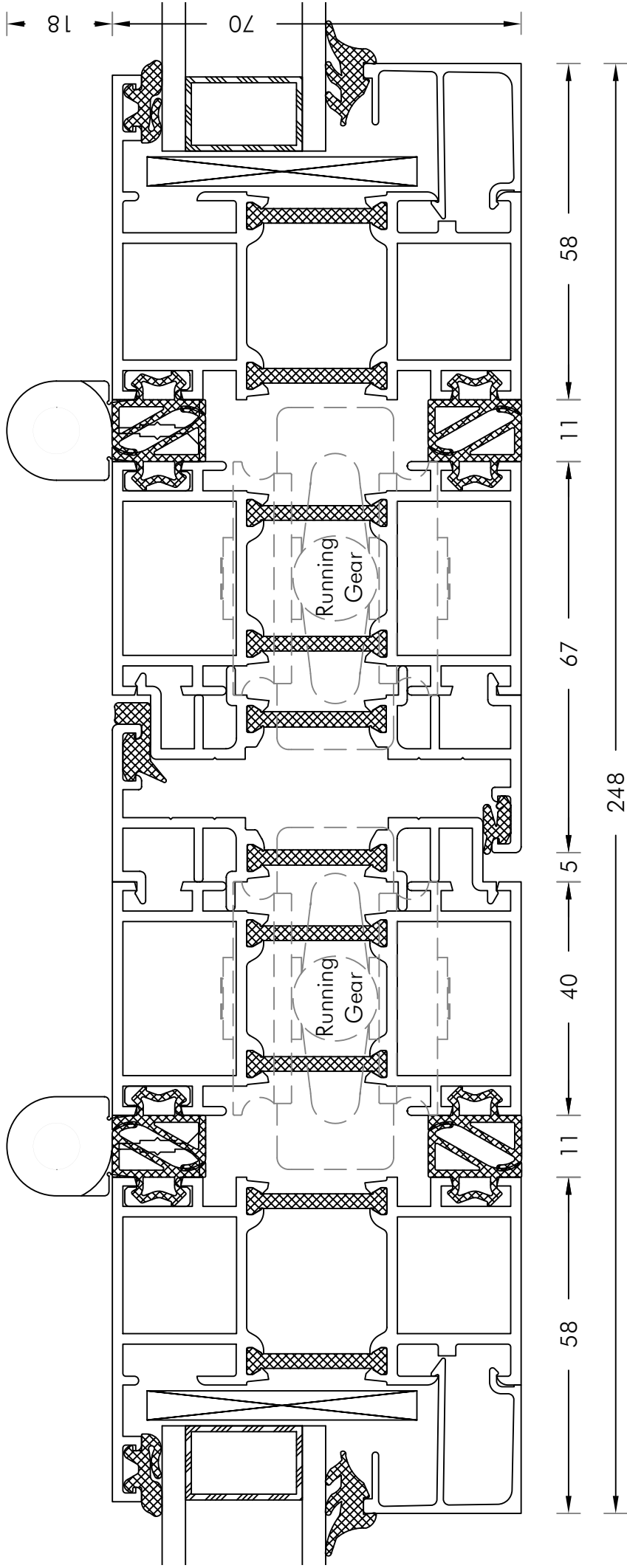
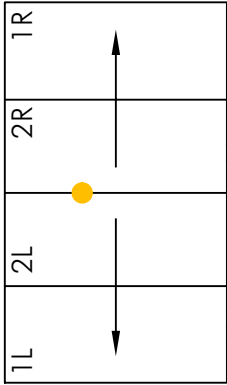
INSIDE

Description **Horizontal Section - Connection**
Closing Jamb - Sliding Post - Panel 4R / Open Out

Detail No: **SF70-13**

System: **SF70 WE A**

OUTSIDE

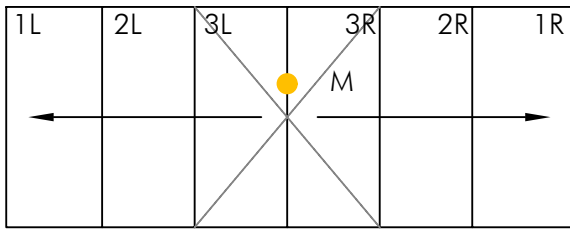


INSIDE

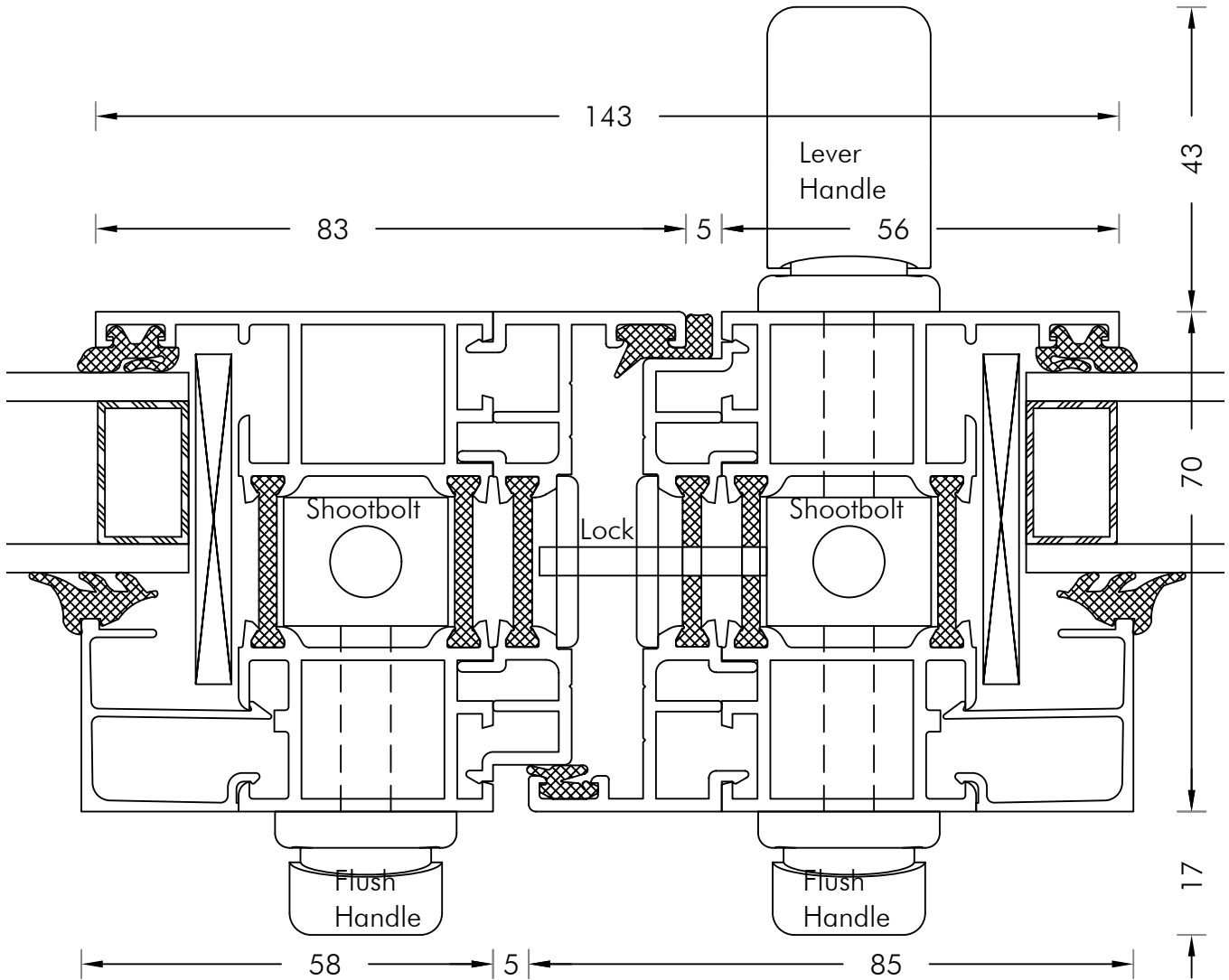
Description **Horizontal Section - Connection
Panel 2L - Sliding Post - Sliding Post - Panel 2R/ Open Out**

Detail No: **SF70-14**

System: **SF70 WE A**



OUTSIDE



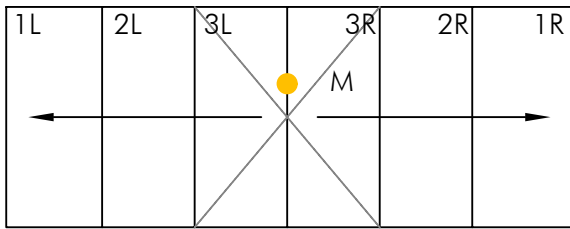
INSIDE

Description **Horizontal Section - Connection
Panel 3L - Panel 3R / Open In
(M = 1st Opening Panel 3R)**

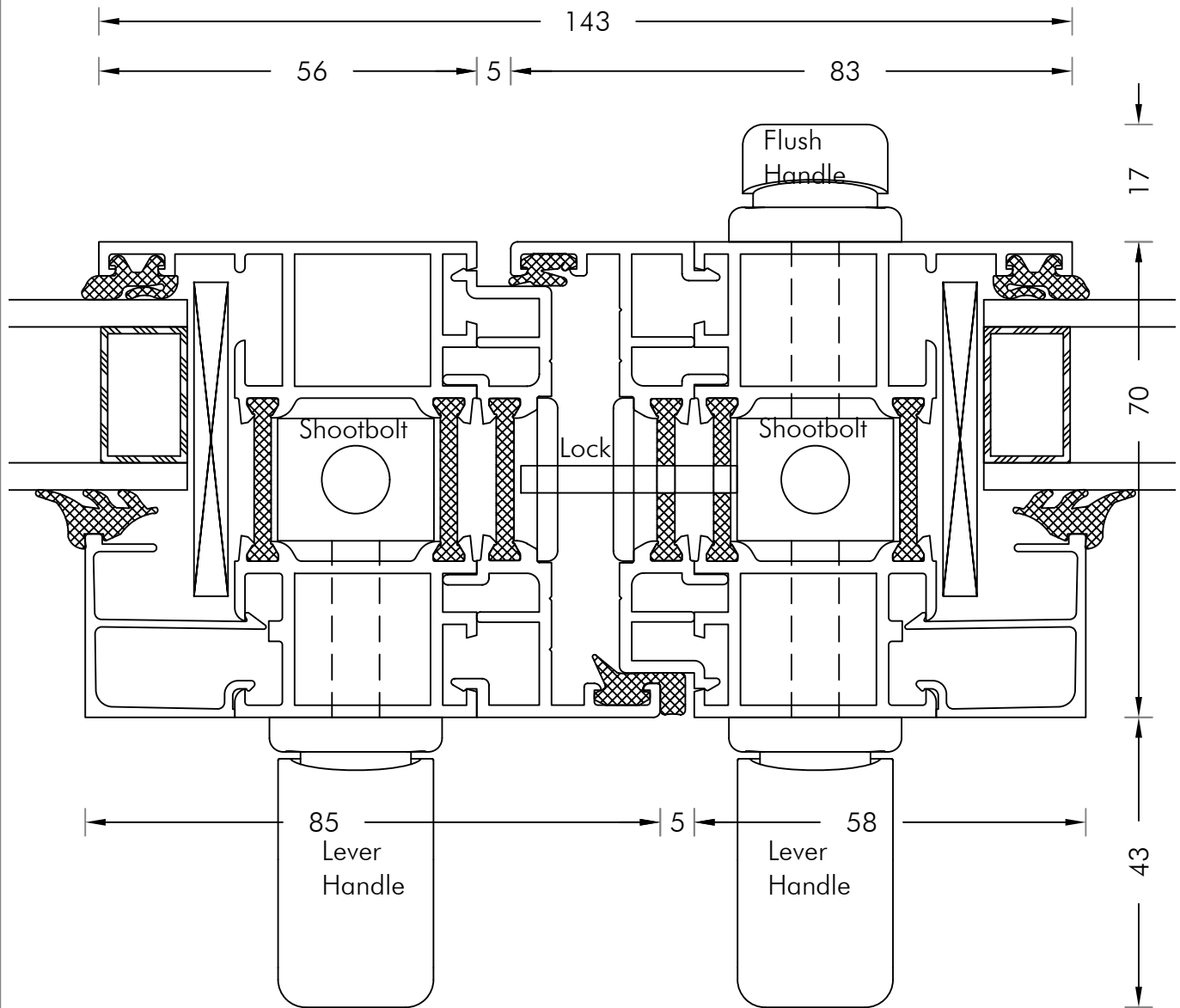
Detail No: **SF70-16**

System: **SF70 WE**

A



OUTSIDE



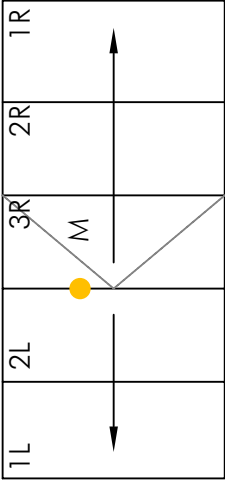
INSIDE

Description **Horizontal Section - Connection
Panel 3L - Panel 3R / Open Out
(M = 1st Opening Panel 3R)**

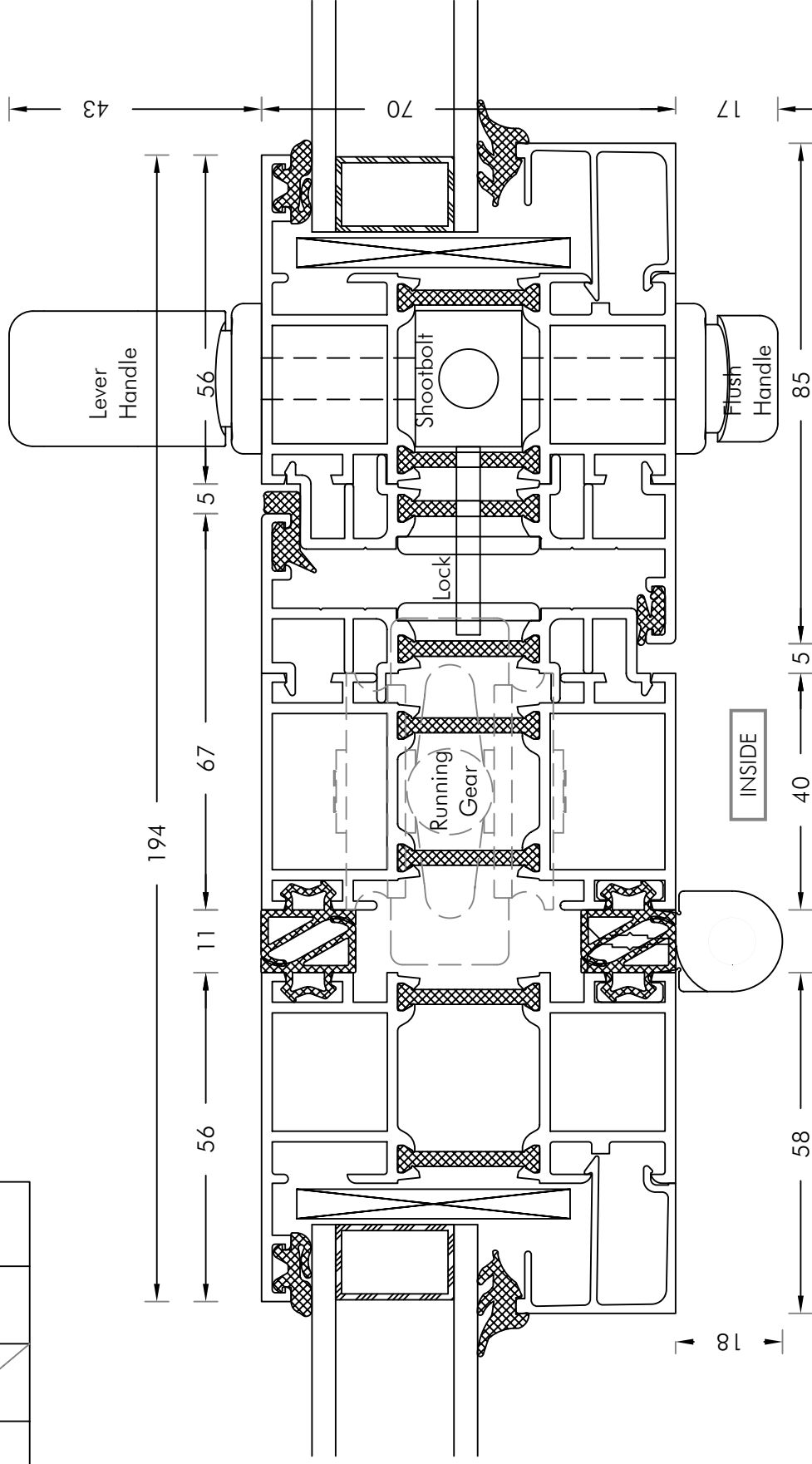
Detail No: **SF70-17**

System: **SF70 WE**

A



OUTSIDE



Description **Horizontal Section - Connection**
Panel 2L - Sliding Post - Panel 3R / Open In
(M = 1st Opening Panel 3R)

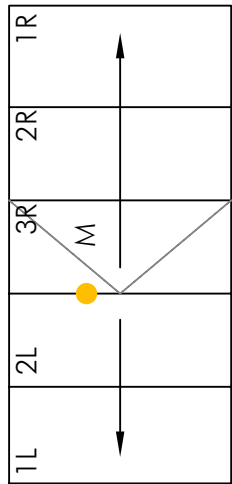
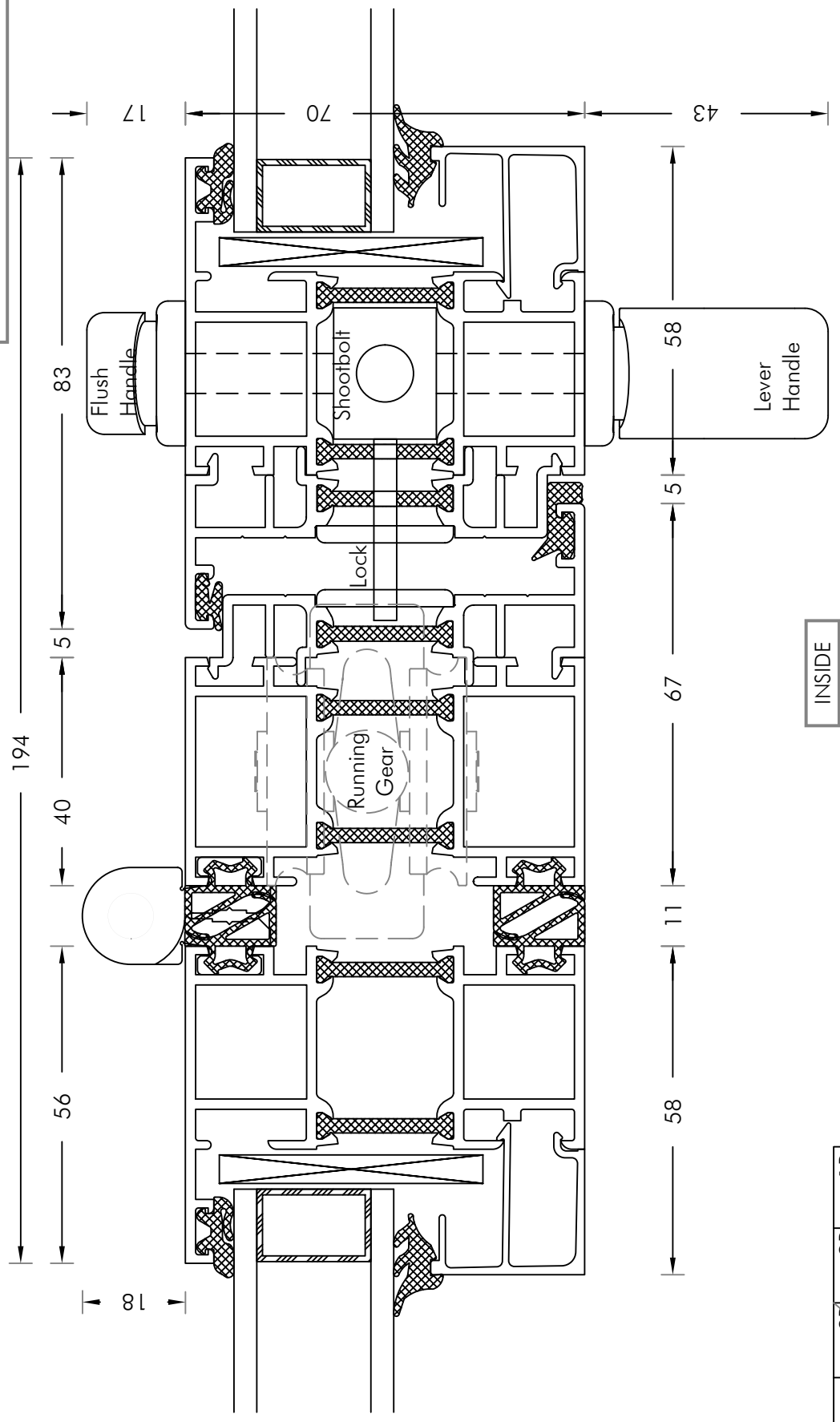
Detail No: **SF70-18**

System: **SF70 WE A**

Scale 0.9

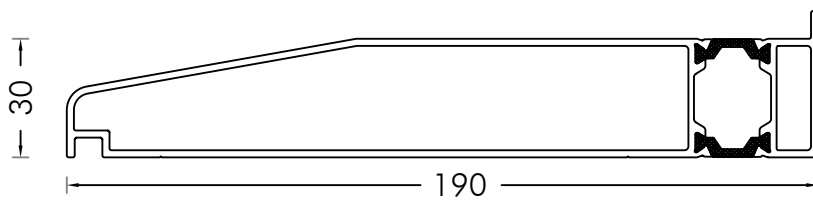
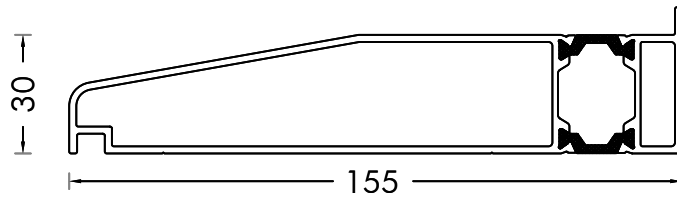
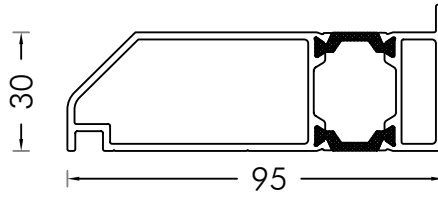


OUTSIDE



Description **Horizontal Section - Connection**
Panel 2L - Sliding Post - Panel 3R / Open Out
(M = 1st Opening Panel 3R)

Detail No: **SF70-19**
System: **SF70 WE A**

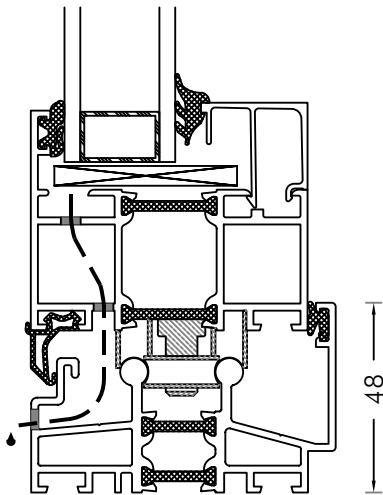


Description **Thermally Broken Aluminium Sills - Size Options**

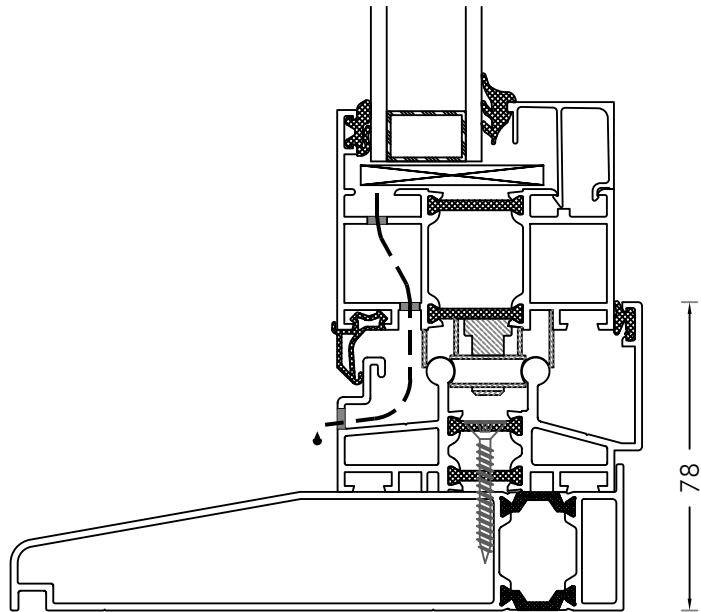
Detail No: **SF70-20**

System: **SF70**

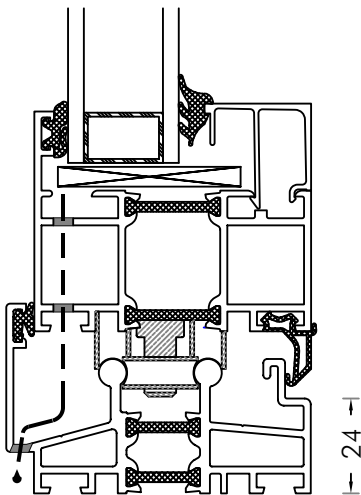
A



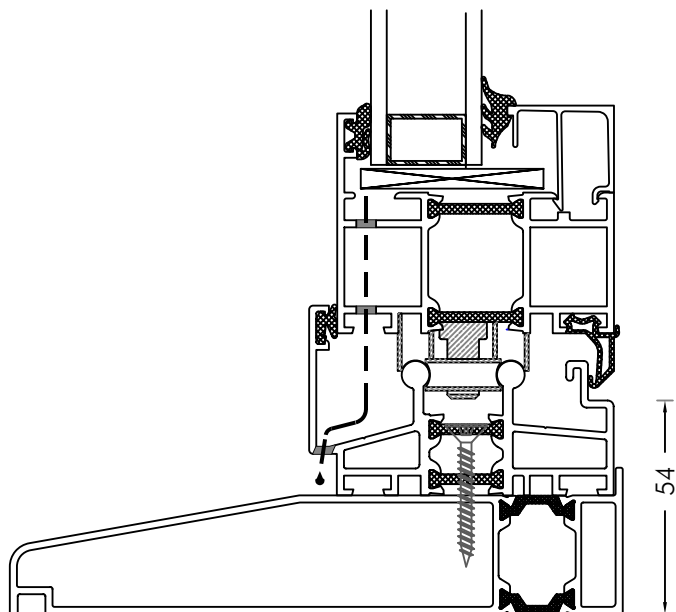
Option 1, Open Out Weathered track



Option 3, Open Out Weathered track on Thermally Broken Sill



Option 2, Open In Weathered track



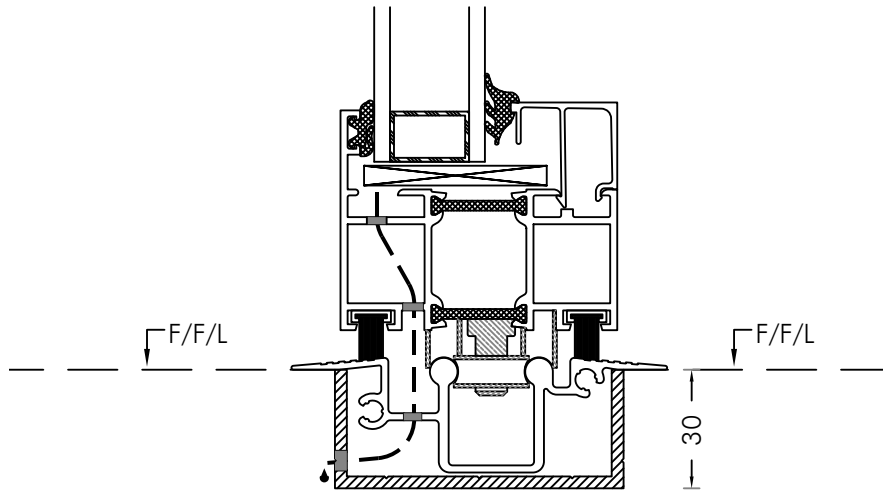
Option 4, Open In Weathered track on Thermally Broken Sill

Description **Vertical Section
Threshold Options - Weathered Track**

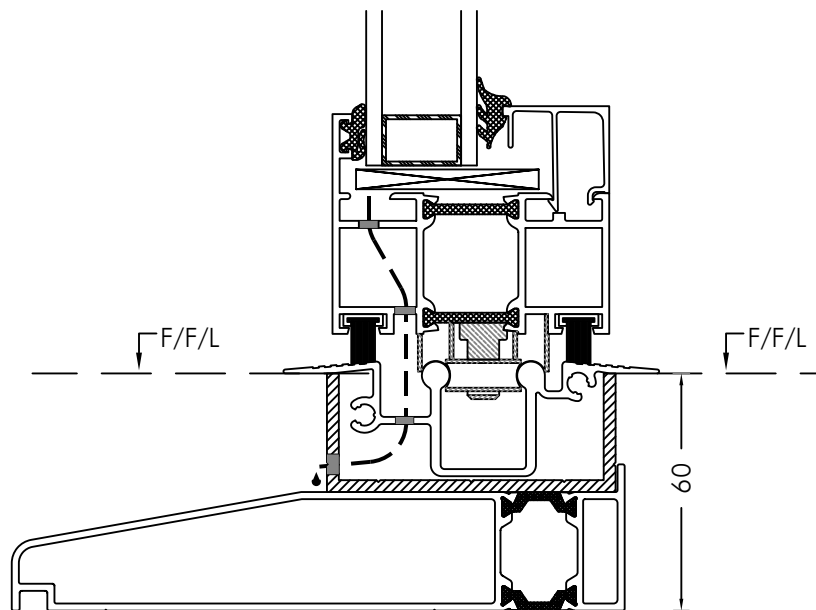
Detail No: **SF70-21**

System: **SF70 WE**

A



Option 5, Flush track



Option 6, Flush track on Sill

**Note: Flush Track Reduces Weather Rating
Not Recommended for Exposed Locations**

Description **Vertical Section
Threshold Options - Flush Track**

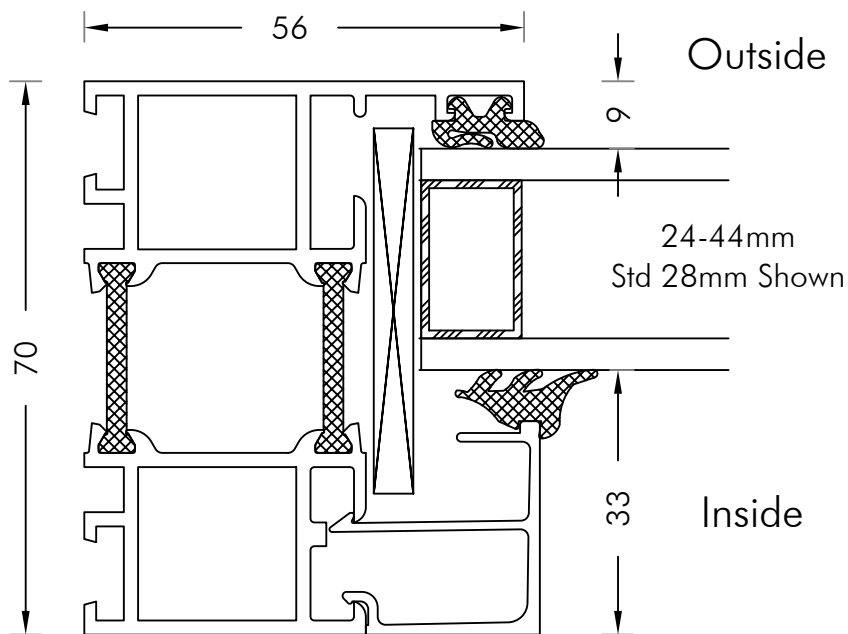
Detail No: **SF70-22**

System: **SF70 WE**

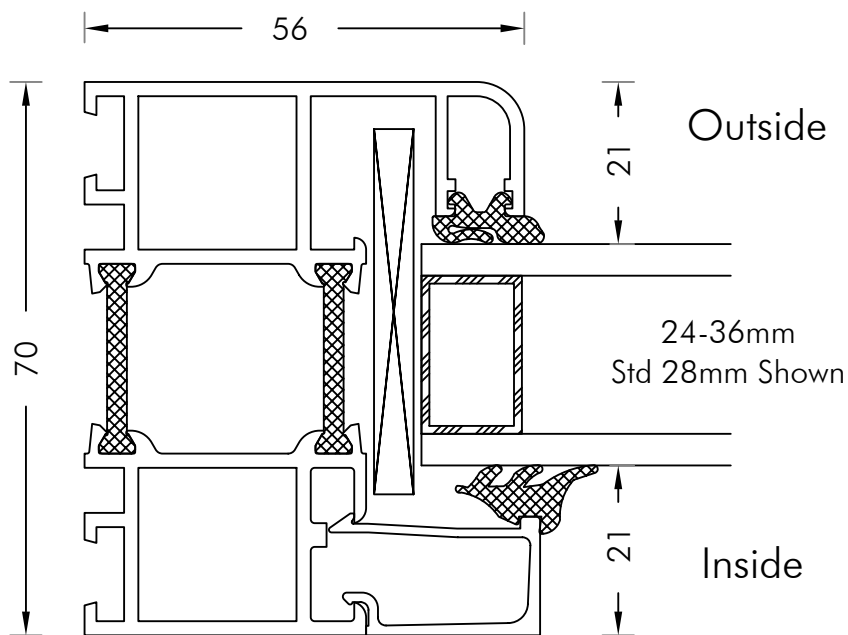
A



WE. Square Edge Profile



WS. Round Edge Profile

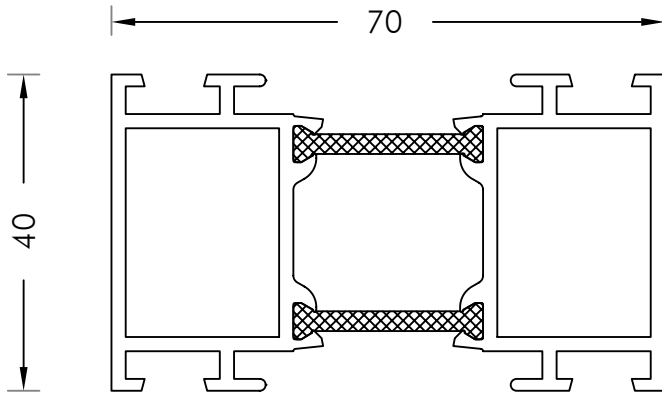


Description **Horizontal Section
Profile Options**

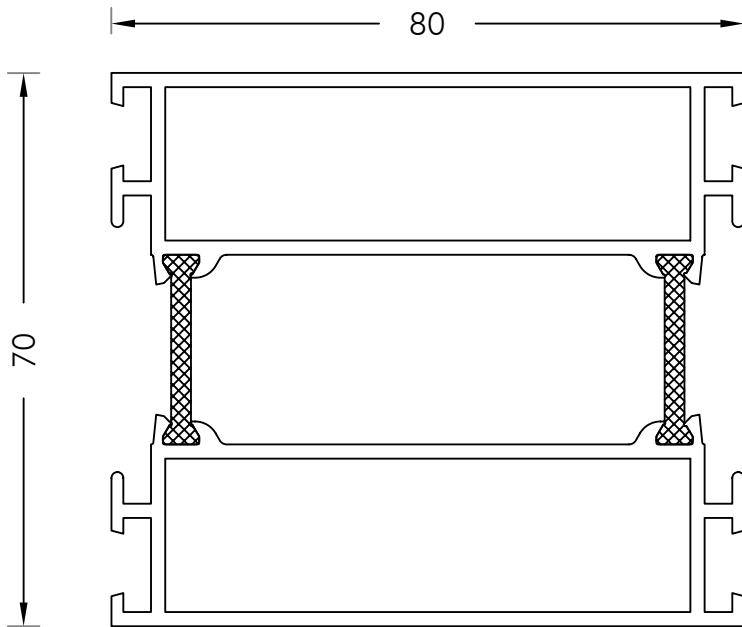
Detail No: **SF70-23**

System: **SF70**

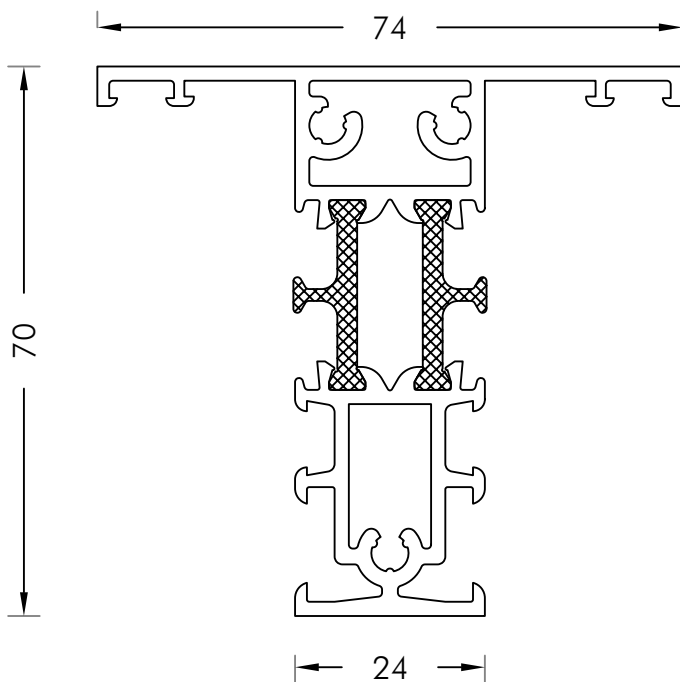
A



40mm Frame Extension



80mm Frame Extension



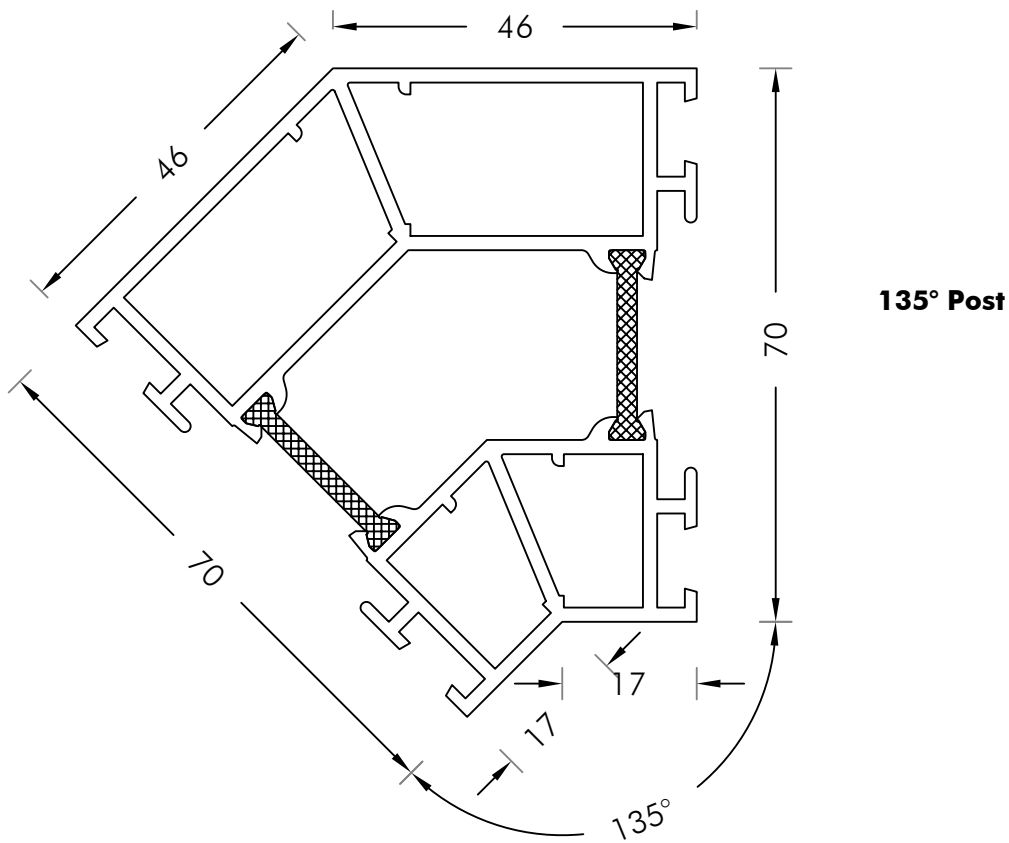
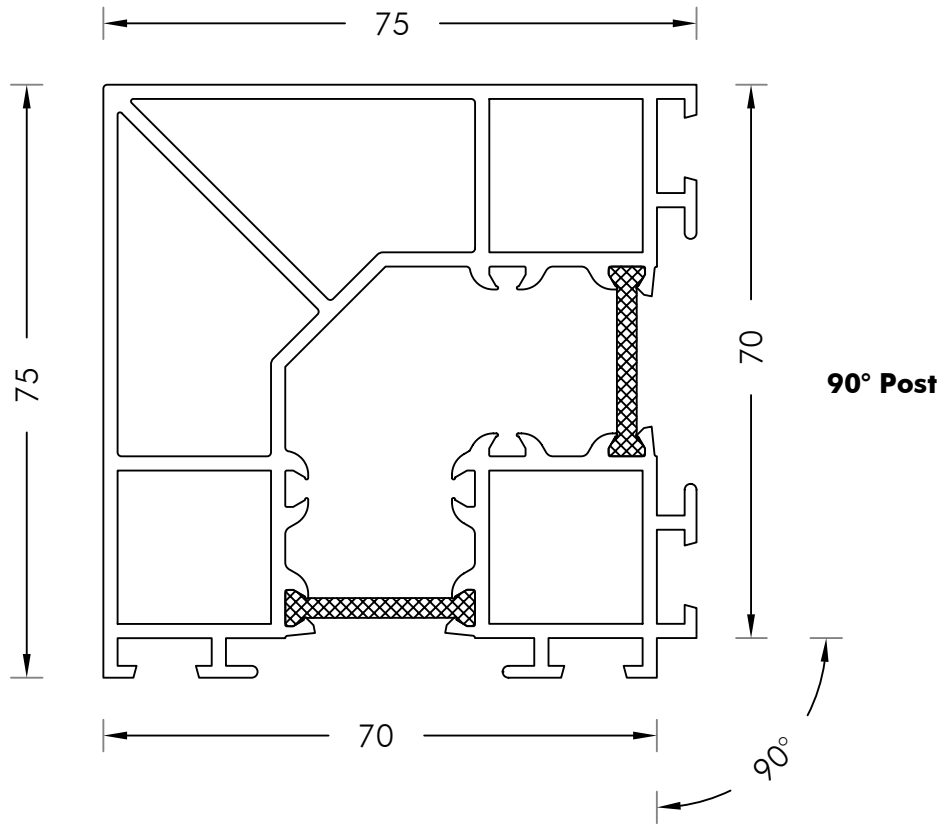
Transom / Mullion

Description **Horizontal Section**
Additional Profiles

Detail No: **SF70-24**

System: **SF70**

A

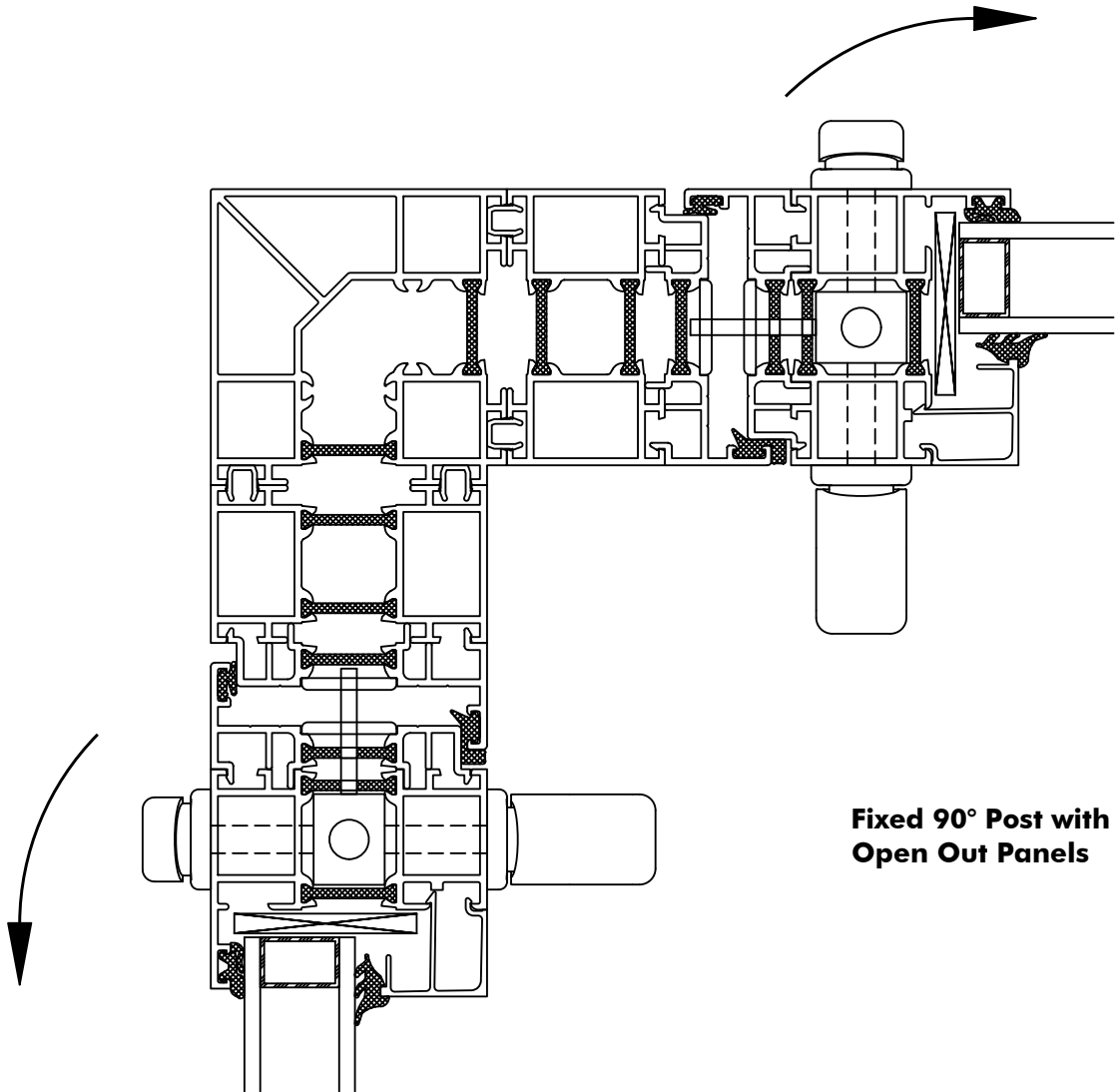


Description **Horizontal Section**
Vertical Post Options

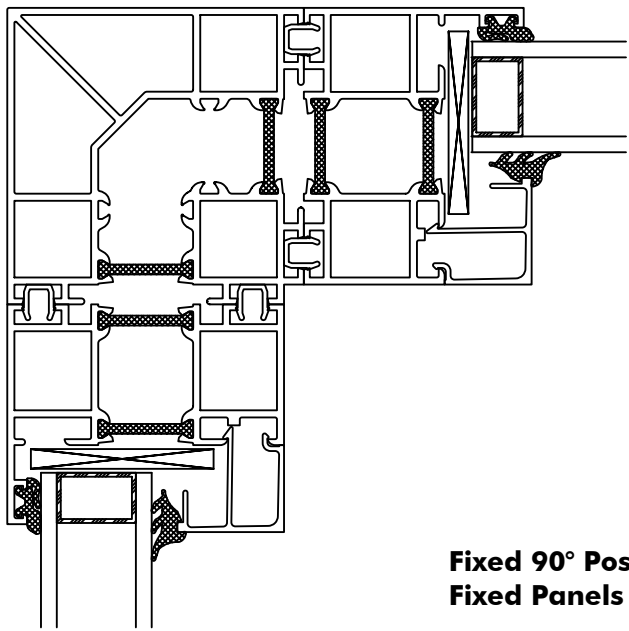
Detail No: **SF70-25**

System: **SF70**

A



**Fixed 90° Post with
Open Out Panels**



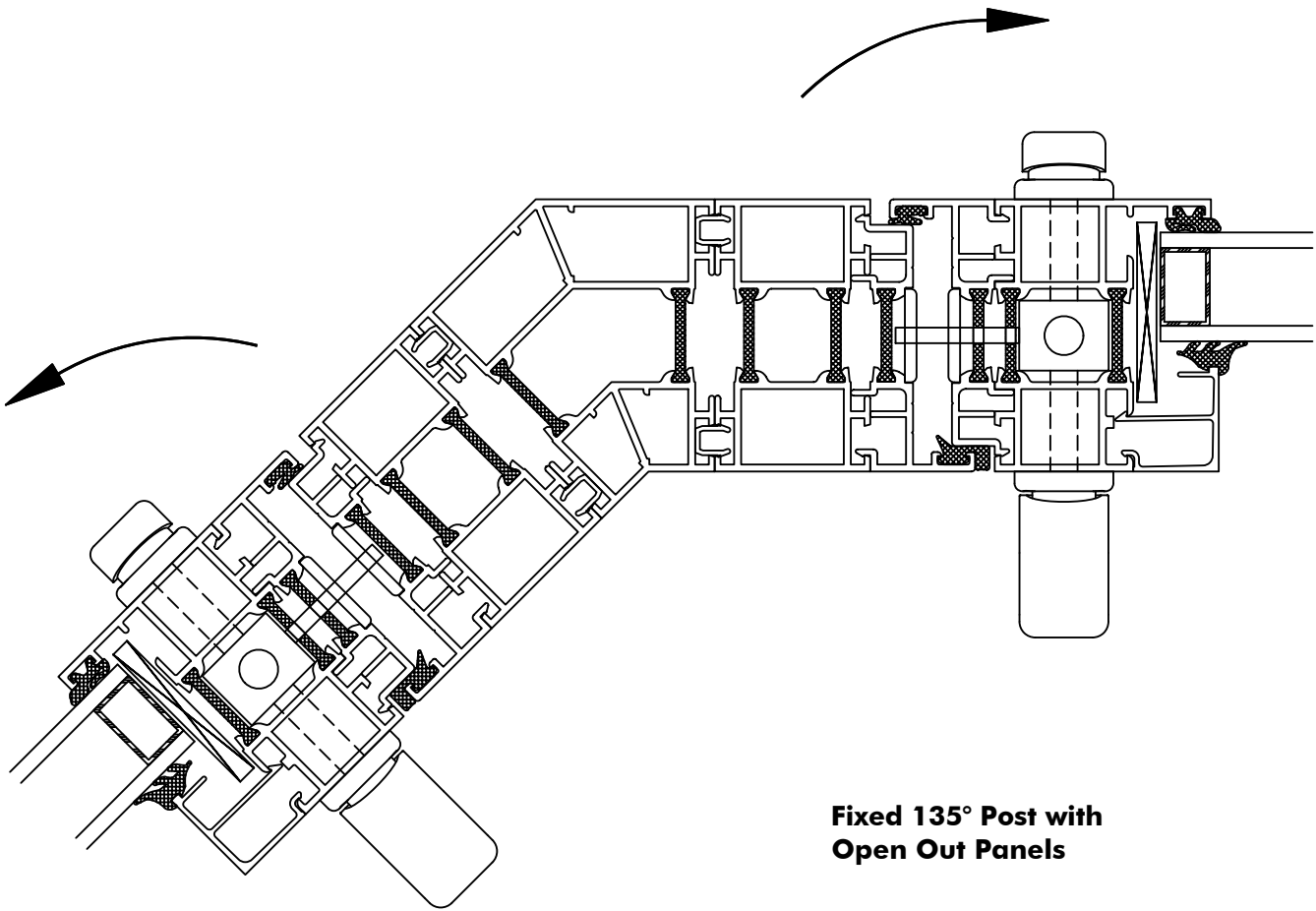
**Fixed 90° Post with
Fixed Panels**

Description **Horizontal Section
Typical Fixed 90° Post Examples**

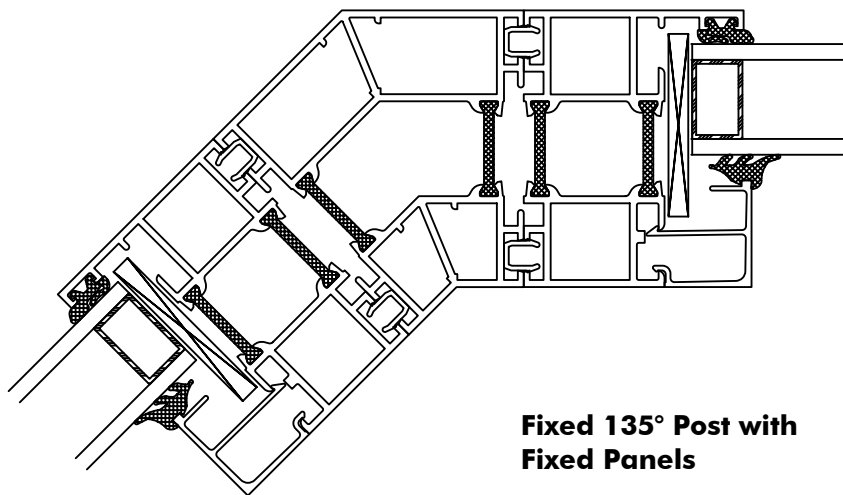
Detail No: **SF70-26**

System: **SF70 WE**

A



**Fixed 135° Post with
Open Out Panels**



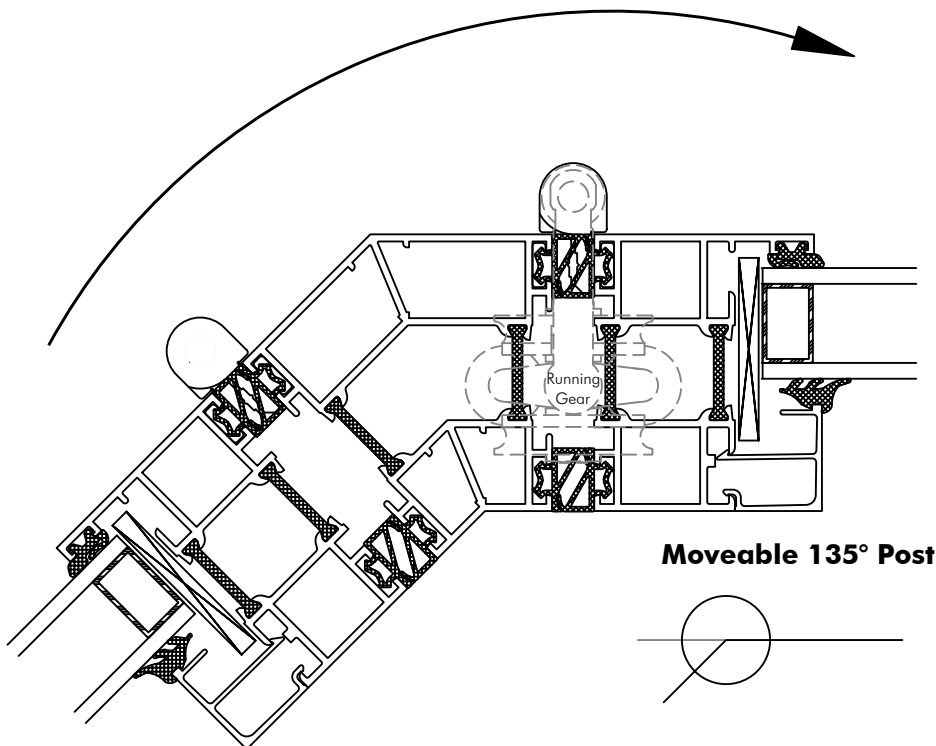
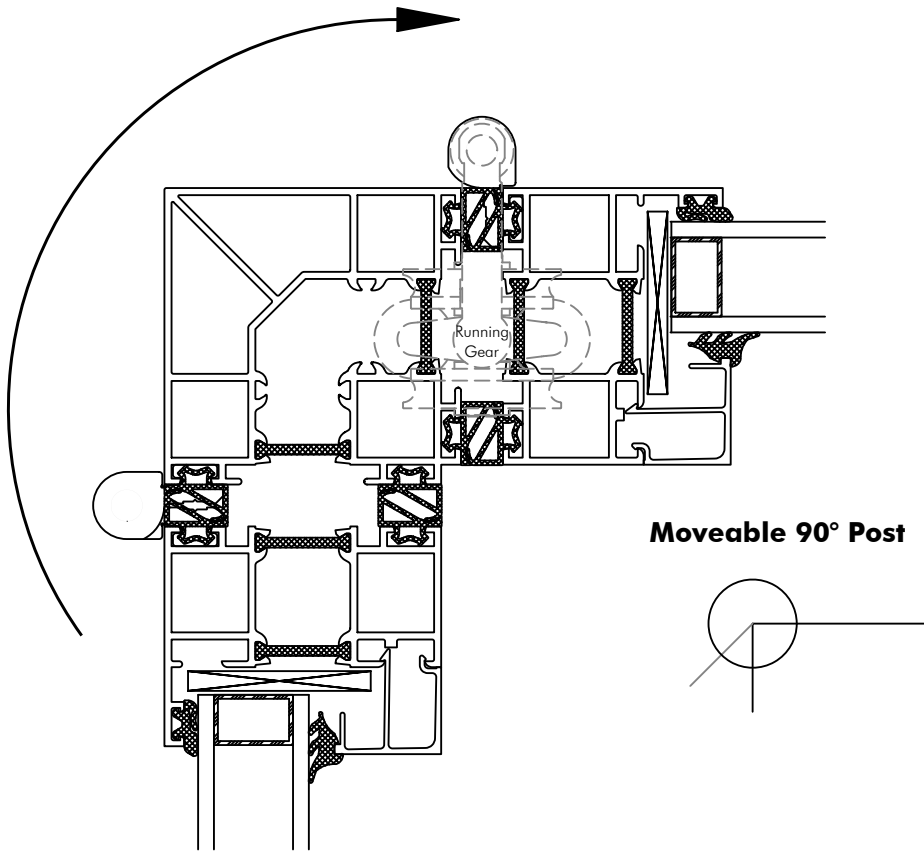
**Fixed 135° Post with
Fixed Panels**

Description **Horizontal Section
Typical 135° Fixed Post Examples**

Detail No: **SF70-27**

System: **SF70 WE**

A

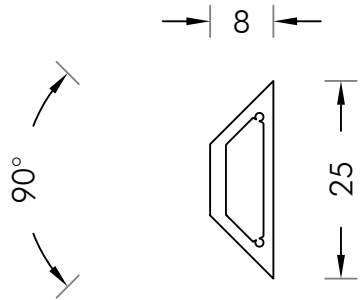


Description **Horizontal Section**
Typical Moveable Post Examples

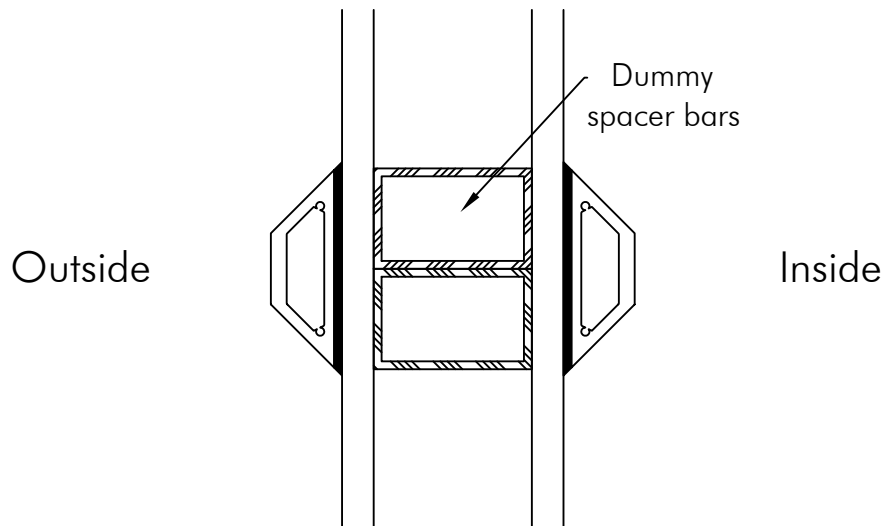
Detail No: **SF70-28**

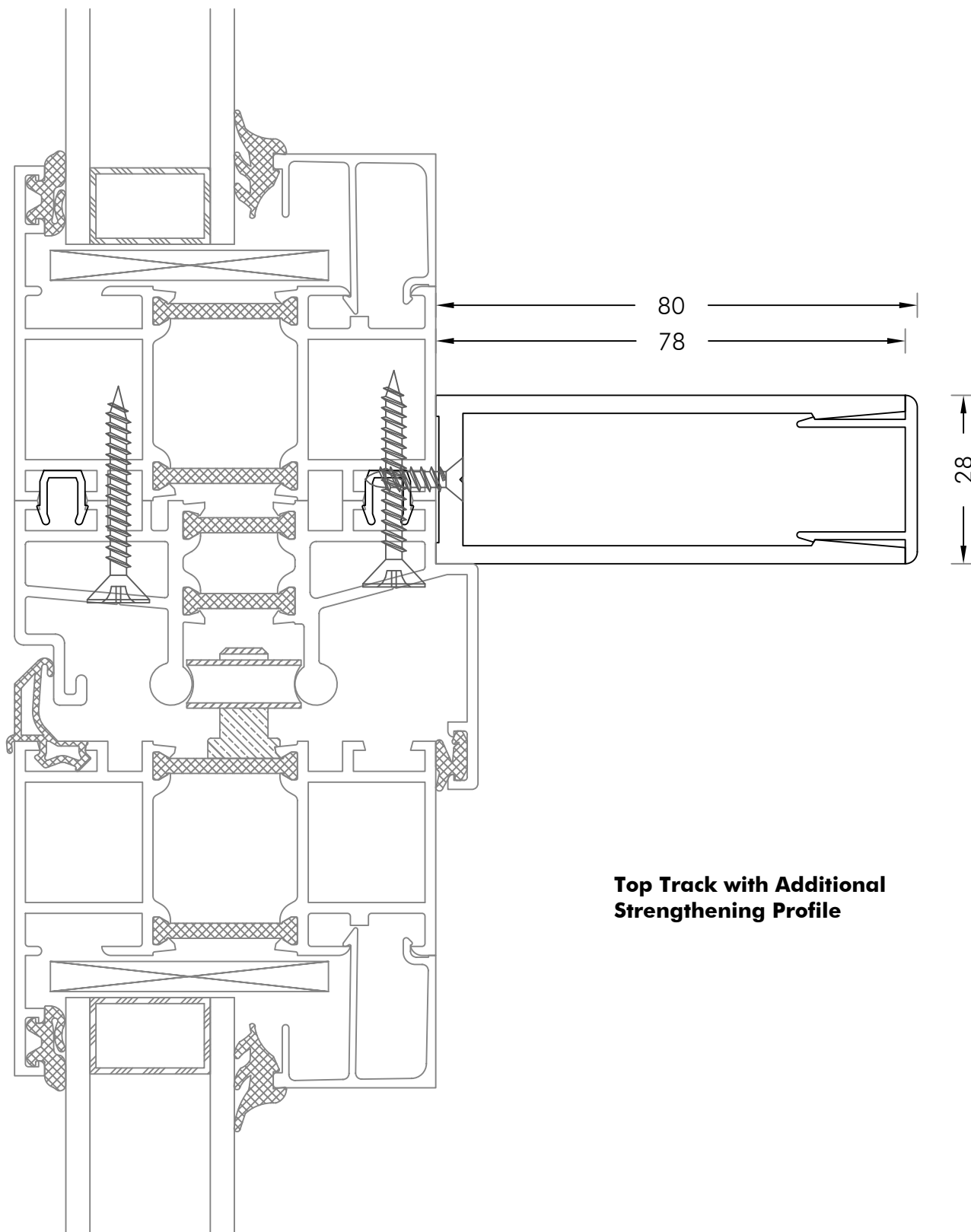
System: **SF70 WE**

A



Plant-on dummy bar





Top Track with Additional Strengthening Profile

NB:-

Required to be used on Door sets with Overlights when System Width Exceeds 2.6 M *

*** This dimension may vary according to the depth of the Overlights**

Description **Vertical Section
Top Track with Additional Strengthening Profile - Open Out**

Detail No: **SF70-31**

System: **SF70**

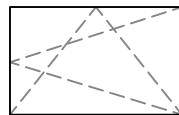
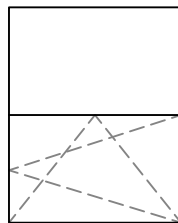
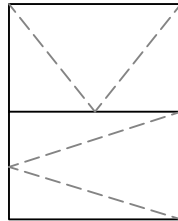
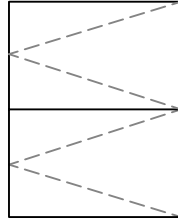
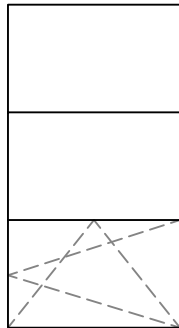
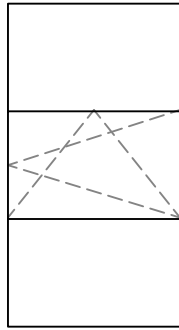
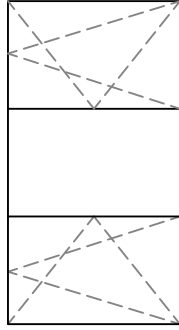
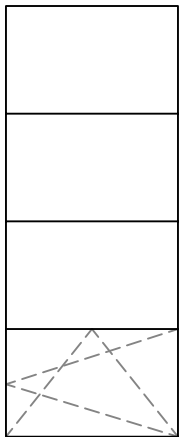
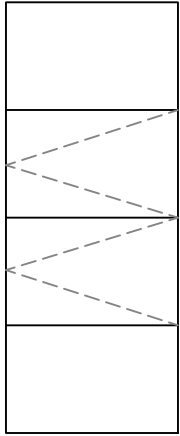
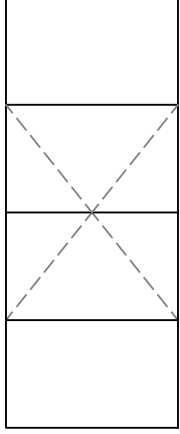
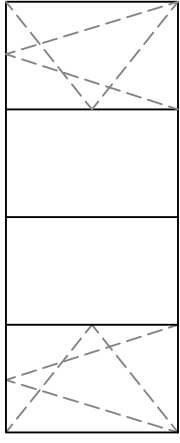
A

Description **Blank**

Detail No: -

System: **SF70**

A



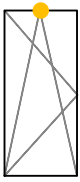
Description **SF70**

Thermally Broken Aluminium Window System
Typical Configuration Options

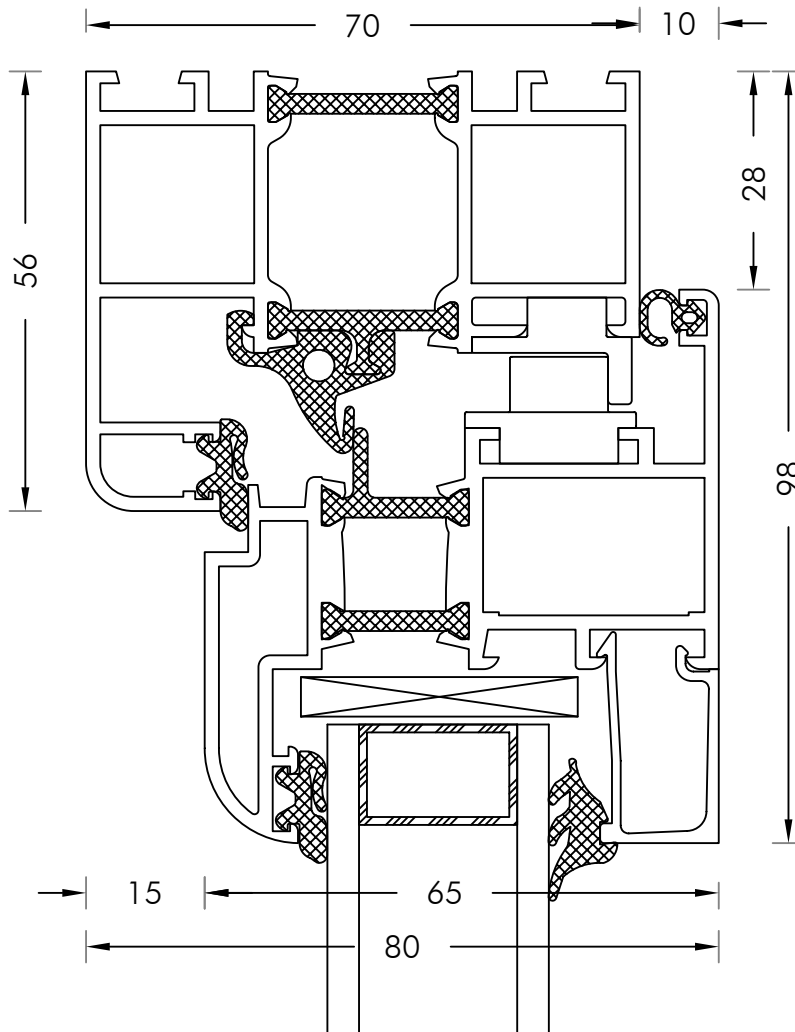
Detail No: **SF70-50**

System: **SF70**

A



OUTSIDE



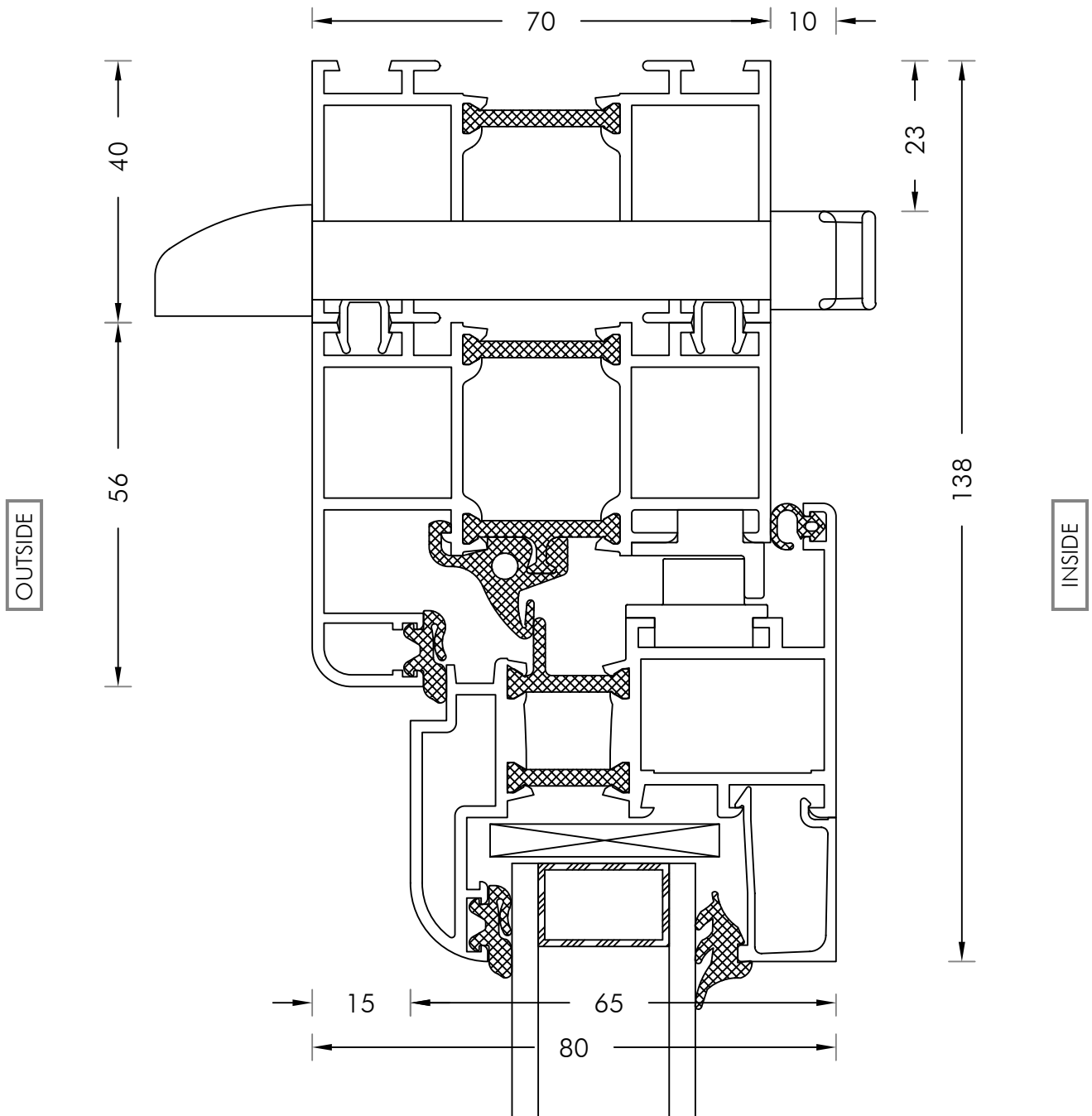
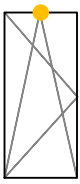
INSIDE

Description **Vertical Section - Connection**
Outer Frame Top Rail - Vent Sash / Open In Only

Detail No: **SF70-51**

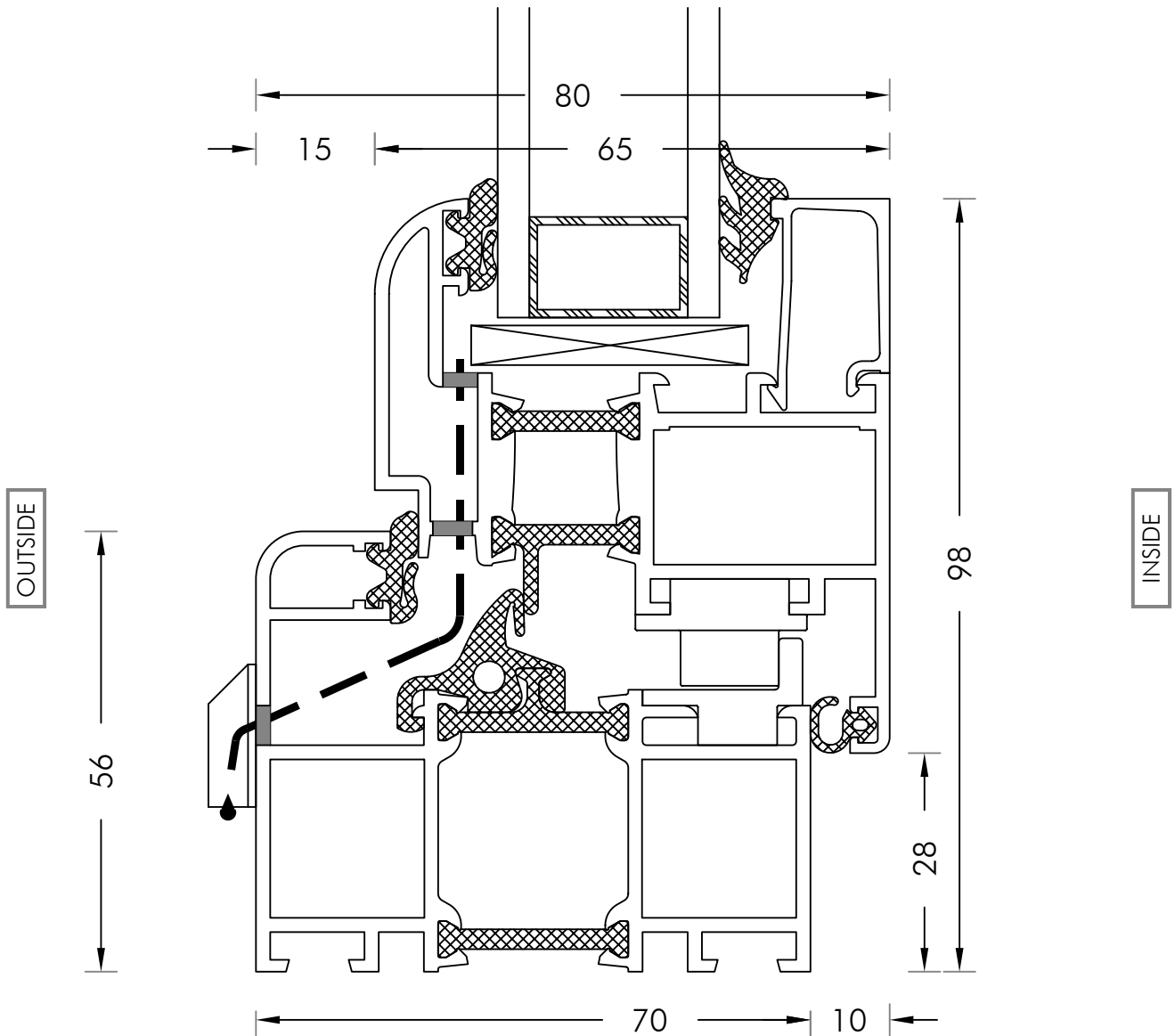
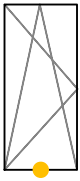
System: **SF70 WS**

A



Description **Vertical Section - Connection**
Outer Frame Top Rail With 40mm Extension And Trickle Vent
- Vent Sash / Open In Only

Detail No: **SF70-51TV**
 System: **SF70 WS** **A**

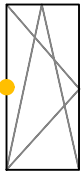


Description **Vertical Section - Connection**
Vent Sash - Outer Frame Bottom Rail / Open In Only

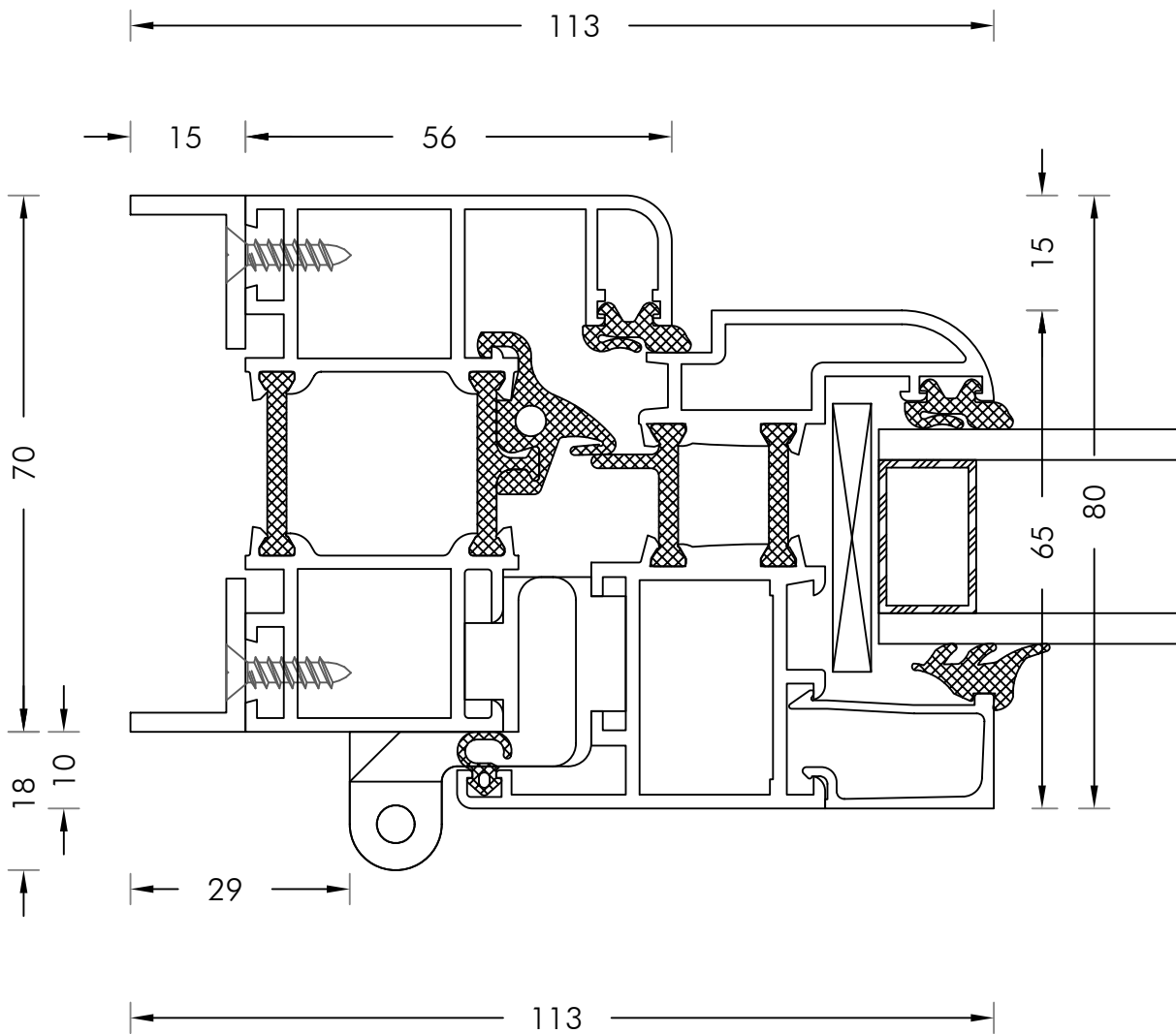
Detail No: **SF70-52**

System: **SF70 WS**

A



OUTSIDE



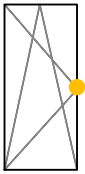
INSIDE

Description **Horizontal Section - Connection**
Outer Frame Side Rail With 15mm Frame Extensions - Vent
Sash @ Hinge Side / Open In Only

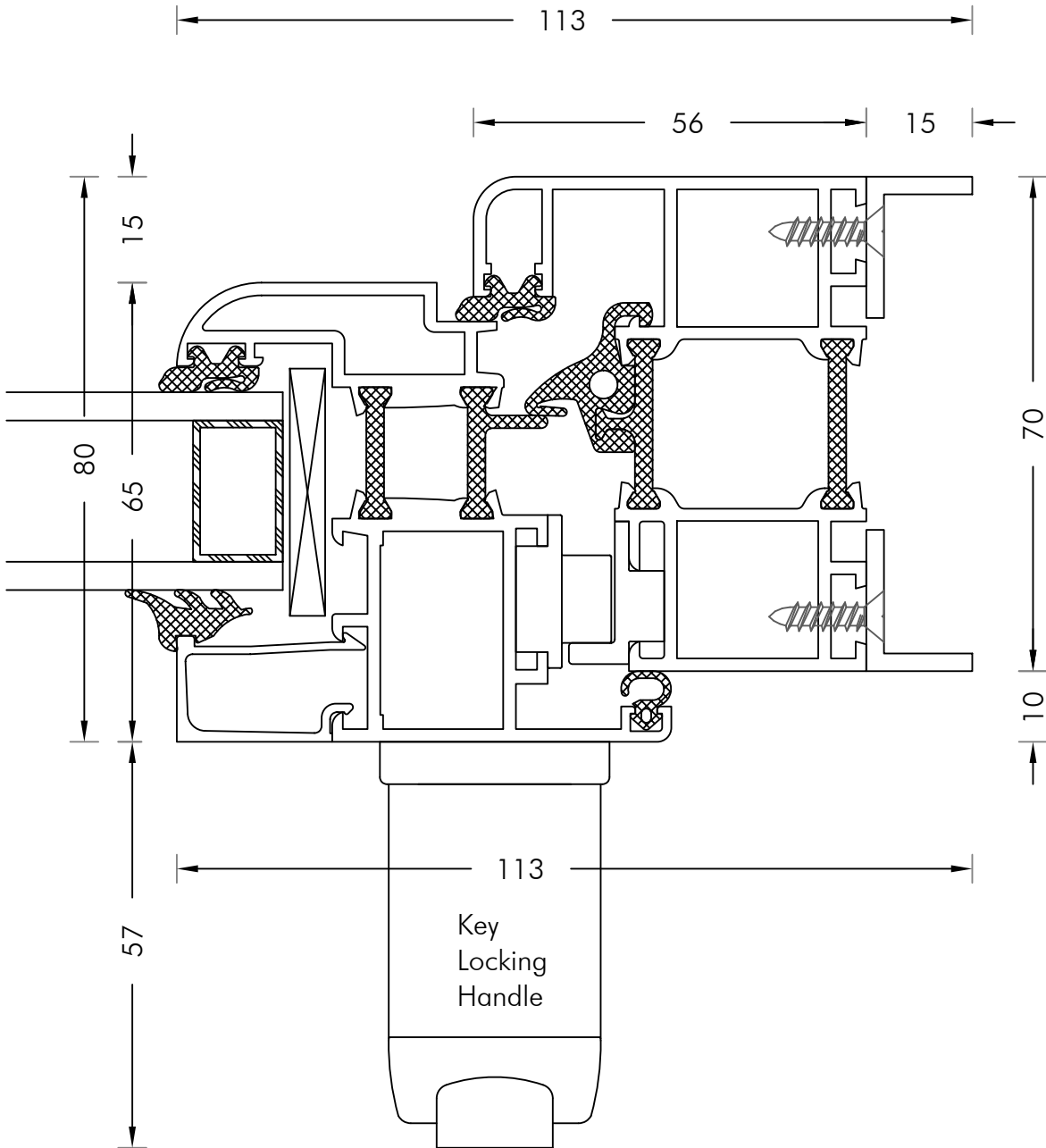
Detail No: **SF70-53**

System: **SF70 WS**

A



OUTSIDE



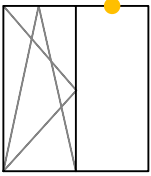
INSIDE

Description **Horizontal Section**
Outer Frame Side Rail 15mm Frame Extensions - Vent Sash
@ Handle Side / Open In Only

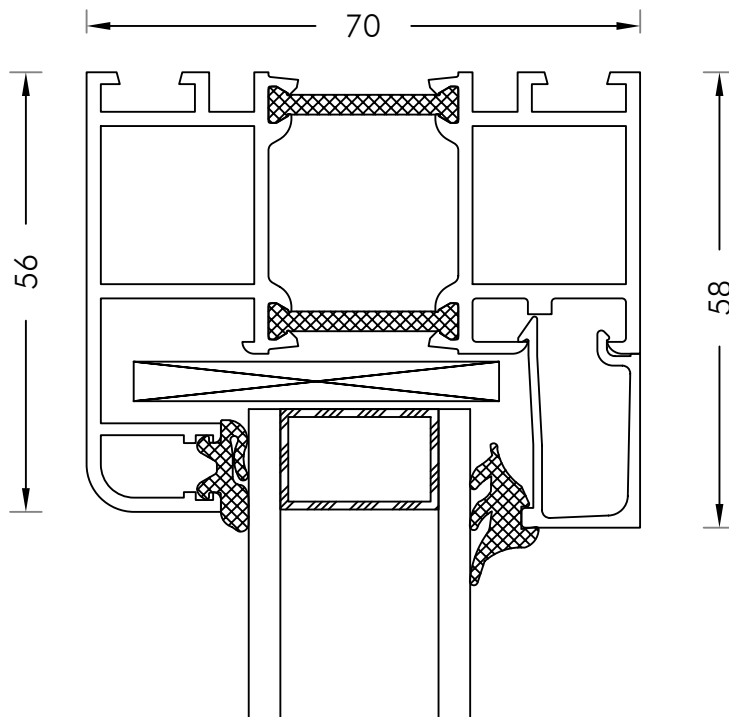
Detail No: **SF70-54**

System: **SF70 WS**

A



OUTSIDE



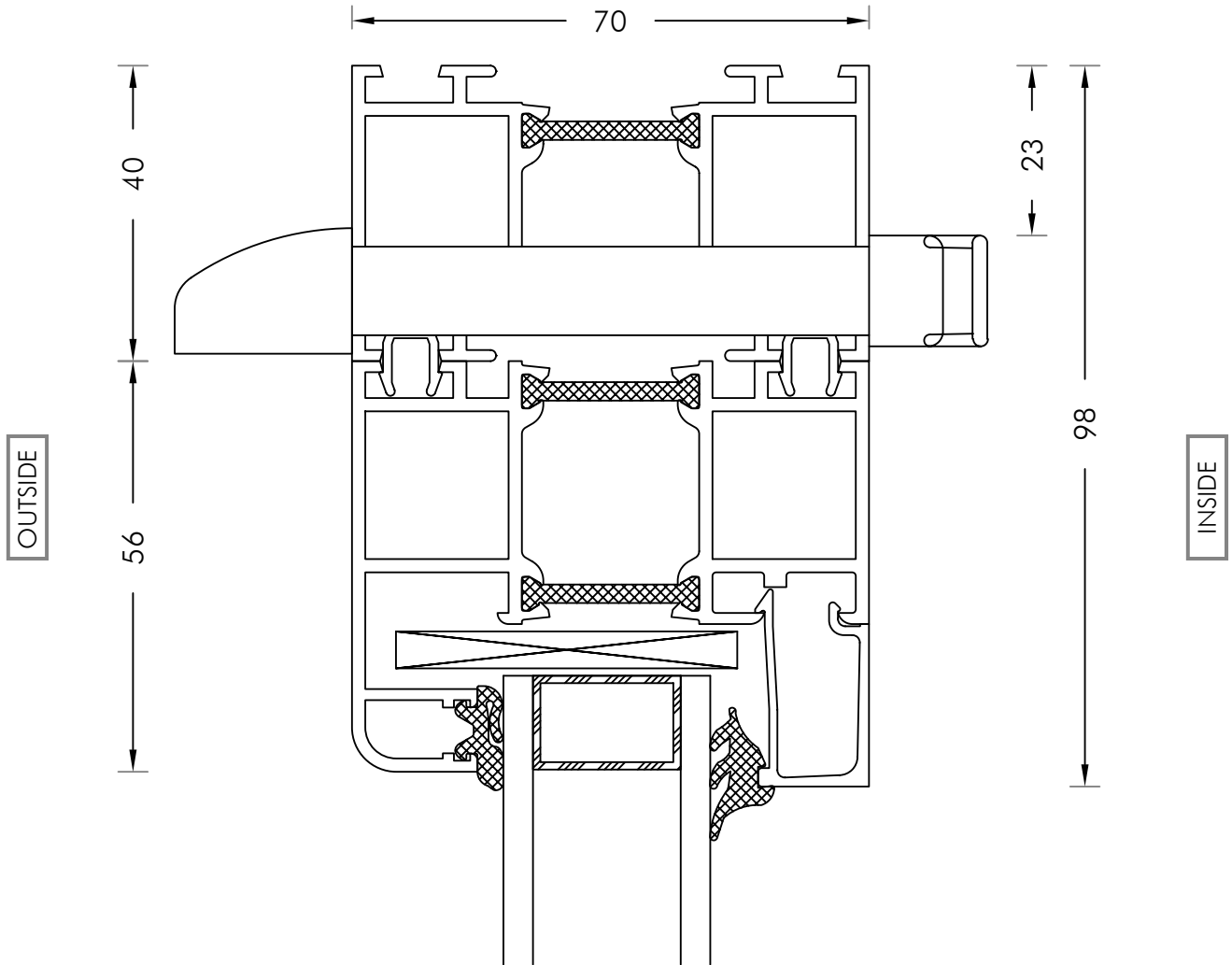
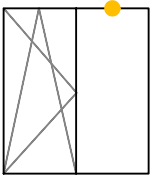
INSIDE

Description **Vertical Section - Connection**
Outer Frame Top Rail - Fixed Glass Panel

Detail No: **SF70-55**

System: **SF70 WS**

A

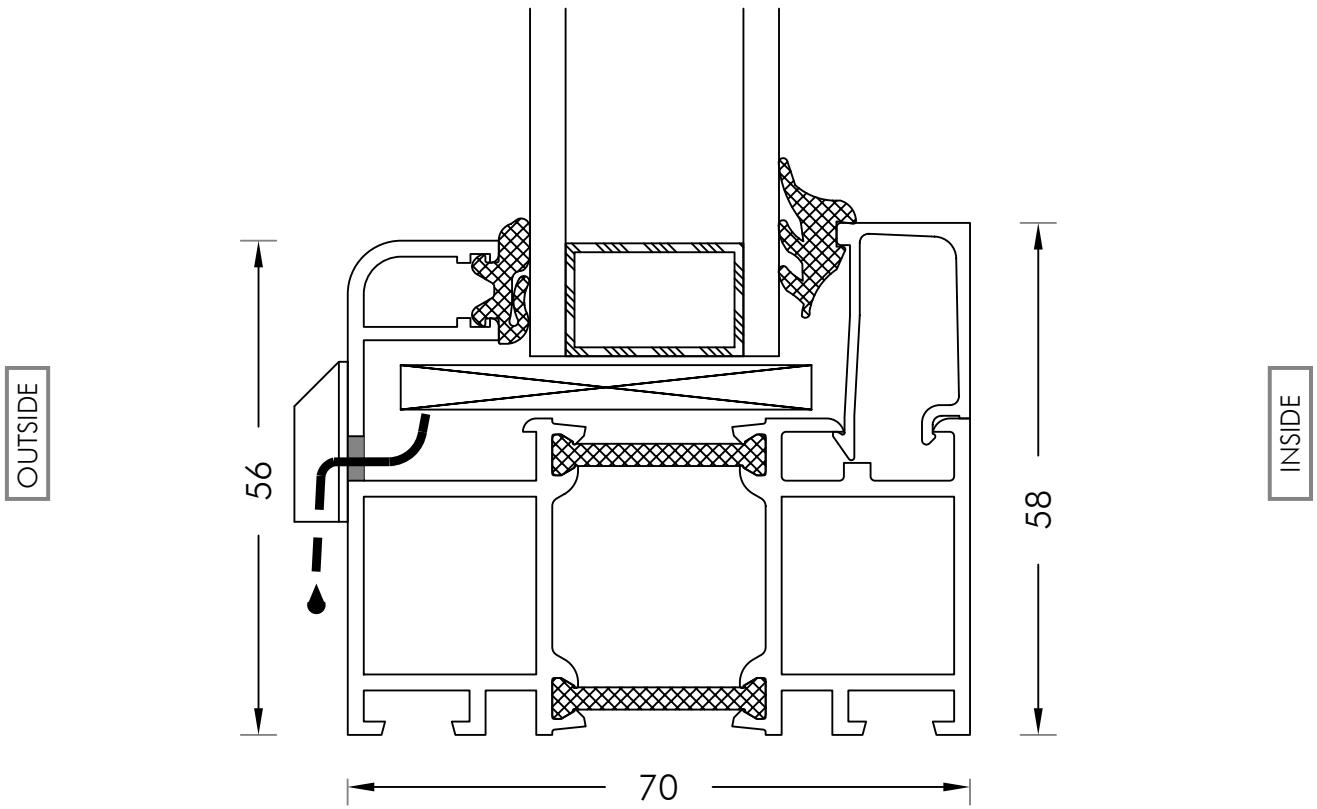
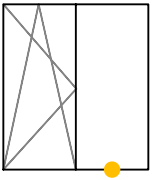


Description **Vertical Section - Connection**
Outer Frame Top Rail With 40mm Extension And Trickle Vent
- Fixed Glass Panel

Detail No: **SF70-55TV**

System: **SF70 WS**

A

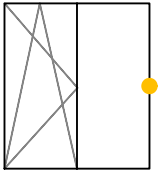


Description **Vertical Section - Connection**
Fixed Glass Panel - Outer Frame Bottom Rail

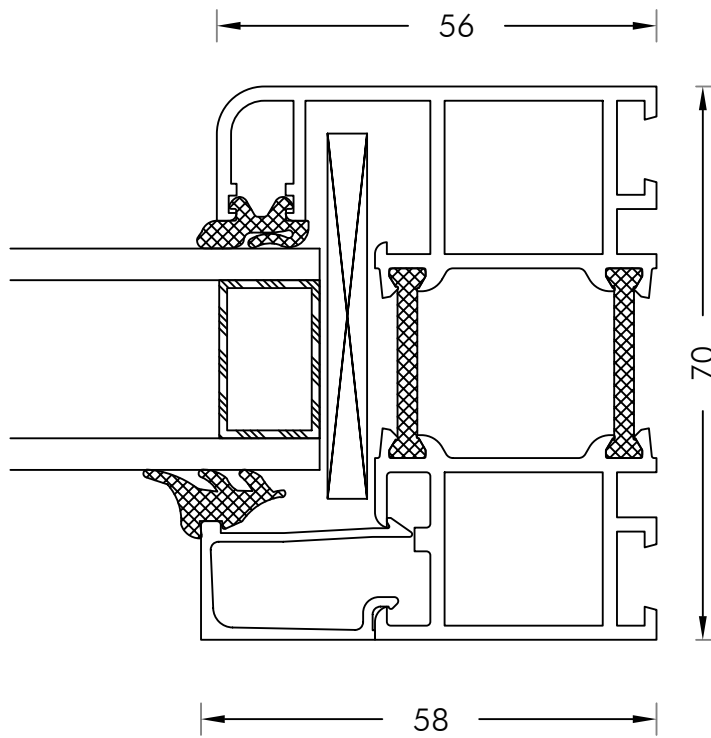
Detail No: **SF70-56**

System: **SF70 WS**

A



OUTSIDE



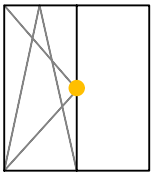
INSIDE

Description **Horizontal Section**
Outer Frame Side Rail - Fixed Glass Panel

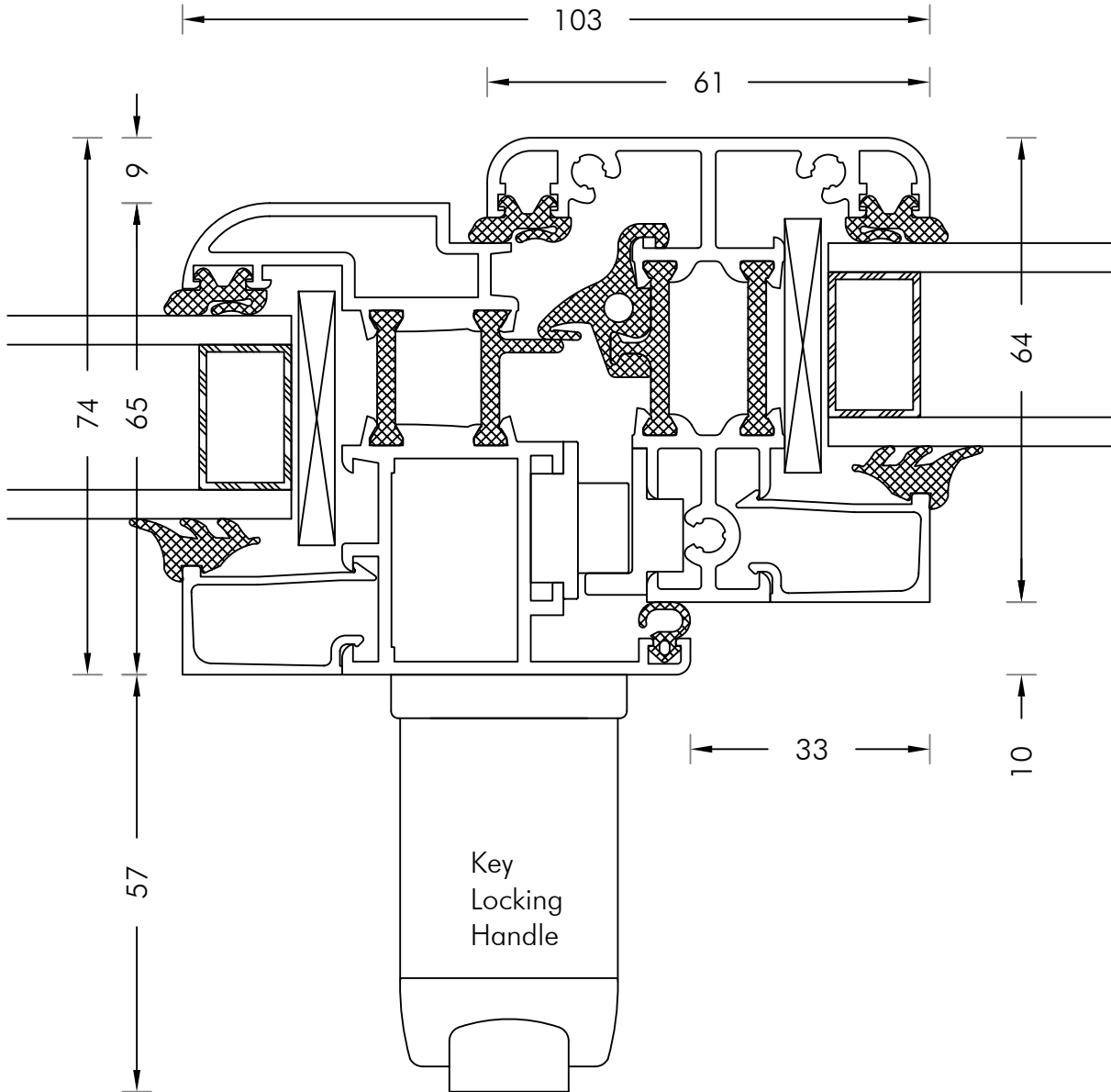
Detail No: **SF70-57**

System: **SF70 WS**

A



OUTSIDE



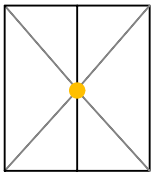
INSIDE

Description **Horizontal Section**
Vent Sash @ Handle Side - Mullion - Fixed Glass Panel

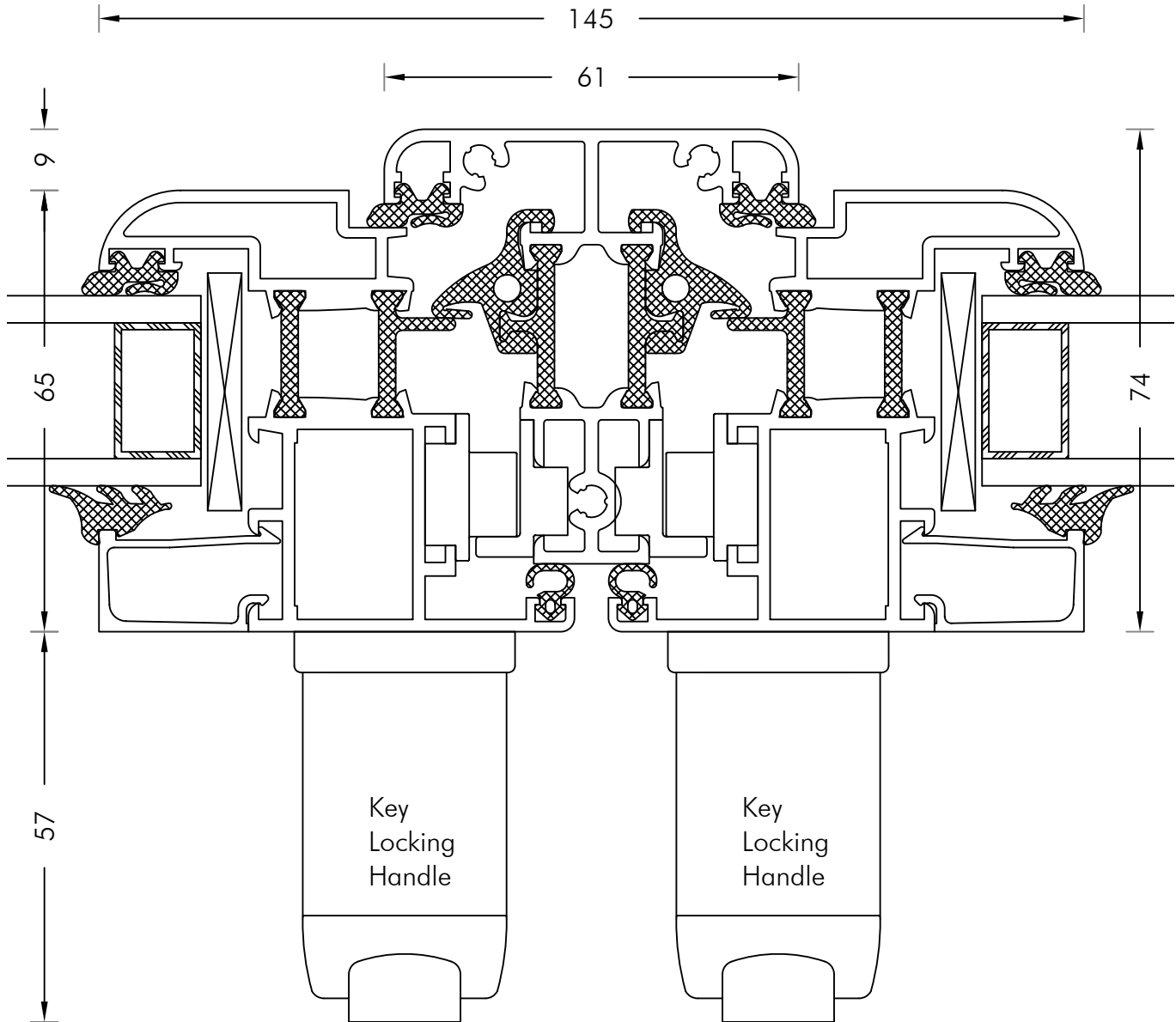
Detail No: **SF70-58**

System: **SF70 WS**

A



OUTSIDE



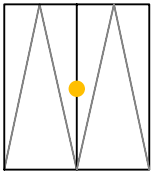
INSIDE

Description **Horizontal Section**
L/H Vent Sash @ Handle Side - Mullion - R/H Vent Sash @
Handle Side

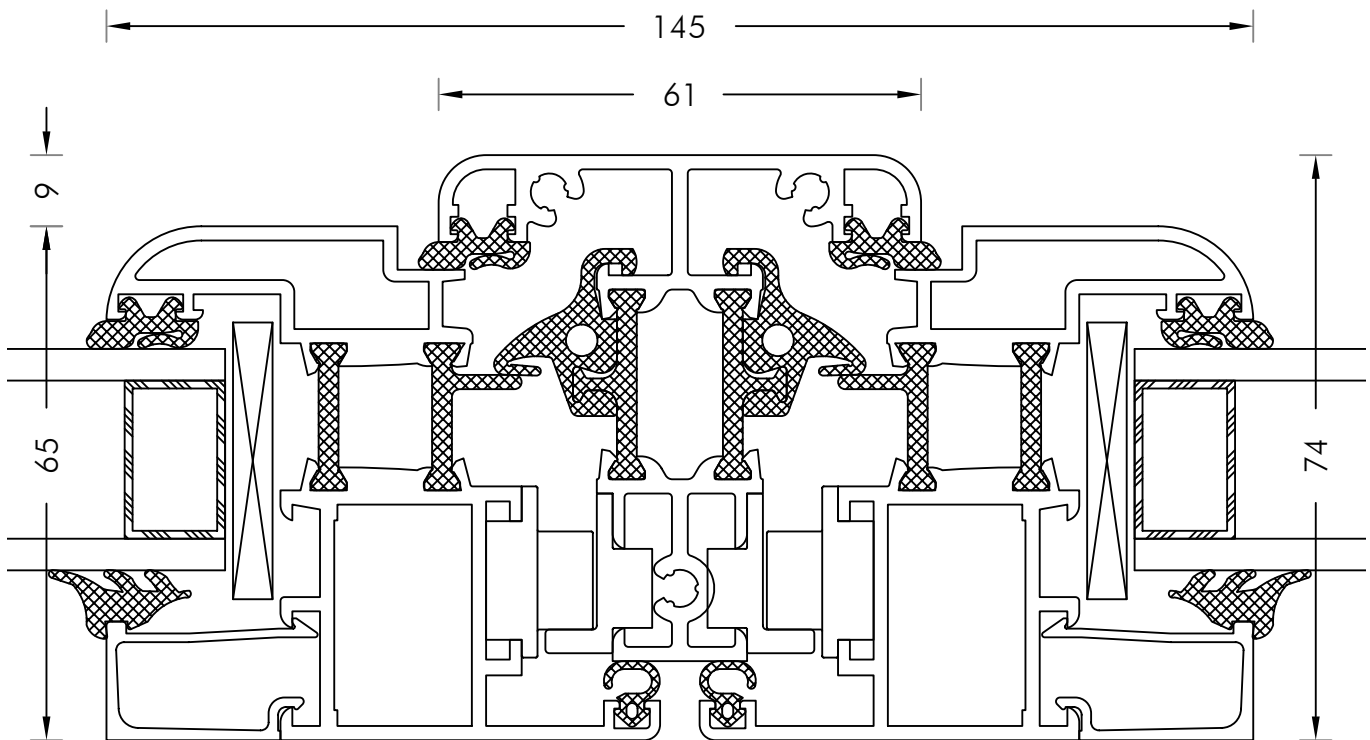
Detail No: **SF70-59**

System: **SF70 WS**

A



OUTSIDE



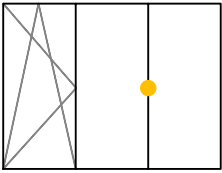
INSIDE

Description **Horizontal Section**
L/H Vent Sash - Mullion - R/H Vent Sash

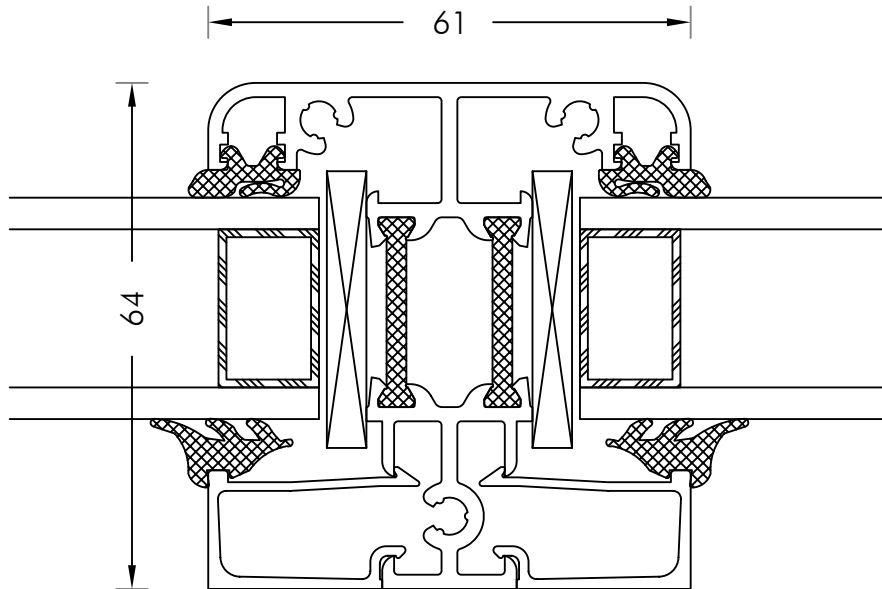
Detail No: **SF70-60**

System: **SF70 WS**

A



OUTSIDE



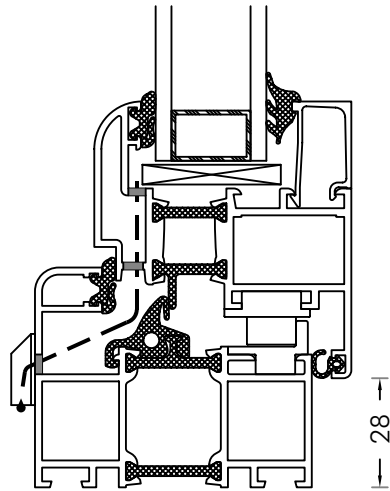
INSIDE

Description **Horizontal Section**
Fixed Glass Panel - Mullion - Fixed Glass Panel

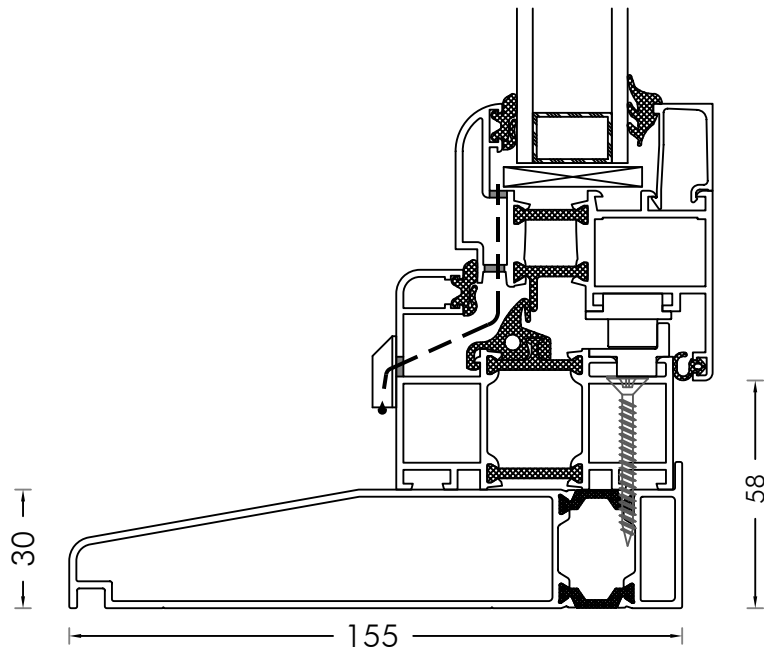
Detail No: **SF70-61**

System: **SF70 WS**

A



Option 1, Std Tilt & Turn Threshold



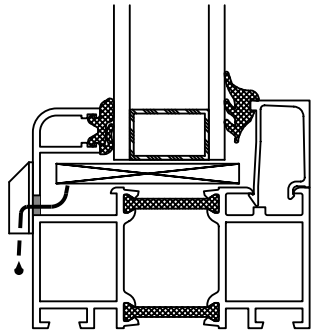
Option 2, Std Tilt & Turn Frame on 155mm Thermally Broken Sill

Description **Tilt & Turn, Sill Options**

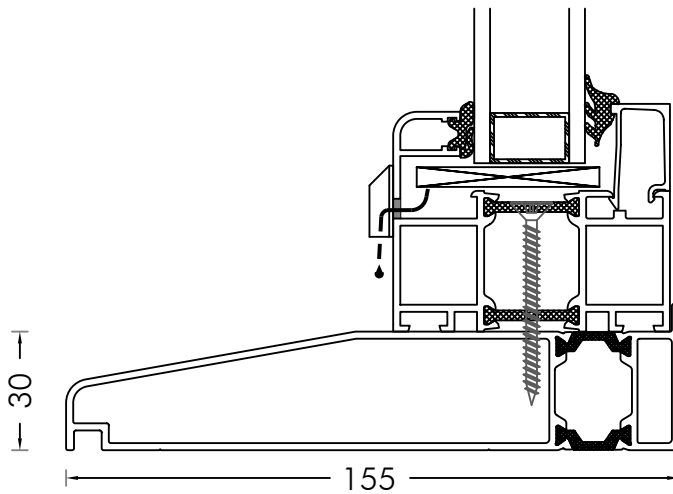
Detail No: **SF70-62**

System: **SF70 WS**

A



Option 1, Std Fixed Frame Threshold



**Option 2, Fixed Frame on
155mm Thermally Broken Sill**

Description **Fixed, Sill Options**

Detail No: **SF70-63**

System: **SF70 WS**

A